

# TRANBERG® NAVIGATION LIGHT

TEF 2870 Ex Navigation Light for vessels 20-50m and more than 50m in length

Zone 2 & Safe Area



R. STAHL TRANBERG navigation lights are all designed for rough environments. It is the policy of R. Stahl Tranberg to provide products and services that meet the highest standards of quality in the industry and the performance needs and expectations of our customers.

## Application

- Navigation lights for vessels 20 - 50 meters and more than 50 meters in length
- Signal light

## Features and benefits

- Integrated terminal box, no need for extra connection box
- Access to bulb from top-enabling quick replacement of light source
- Supplied with isolators to be used between the lantern and hull/mast (such as aluminium) to prevent corrosion
- Durable bracket in stainless steel (SS316L) can be used when installing the lantern on 1" or 2" pipes
- 20 years warranty on lantern
- Extremely durable to mechanical deterioration
- Designed for use in arctic and tropical waters
- Resistant to vibrations
- Lens of through-coloured glass, - no de-colouration throughout the lifetime of the lantern, can easily be cleaned for paint, bird droppings, pollution and oil

## Approvals and certificates

EC type examination MEDB000025U issued by DNV-GL  
PRESAFE 14 ATEX 5436X  
IECEx PRE 14.0055X

Achievement of this objective requires that all products perform reliably and efficiently and in a manner that assures continuing market competitiveness. The design of Tranberg navigation lights is based on many years of experience and extensive research in the field of professional Marine lighting.

Carefully selected materials are used to ensure maximum performance, low maintenance and a long trouble free life. Proven through years of use in rough environments, navigation lights from R. Stahl Tranberg are the obvious choice by many vessel designers, ship owners and yards throughout the world.



## Technical Data

|                        |                                       |
|------------------------|---------------------------------------|
| Material:              | Brass, lens of through-coloured glass |
| Input voltage*:        | According to installed light bulb.    |
| Light Source:          | 40W for 24V versions.                 |
| Lamp base:             | P28S                                  |
| Power consumption:     | 40 Watt                               |
| Ingress protection:    | IP66                                  |
| Cable gland:           | M20 (Ø9,0-14,3mm)                     |
| Area of use:           | Ex Zone 2 and Safe Area               |
| Ex classification:     | Ex II 3G Ex nR IIC Gc T5              |
| Operating temperature: | -52°C ....+50°C                       |

**Special conditions:** Resistance to impact is tested with reduced values, according to IEC 60079-0(2011) 26.4.2, "low risk of mechanical damage".

**Compliance standards:** Directive EU 2015/559 Annex A.1 item No. A.1/6.1 and Annex B module B, COLREG 72 as amended, Annex I/14, IMO Res A.694(17), IMO Res MSC.253(83) IEC 60079-15(2010), IEC 60079-0(2011)

TRANBERG STAHL

THE STRONGEST LINK.

## R. STAHL TRANBERG AS

Main office | Strandsvingen 6 | N-4032 Stavanger, Norway | T +47 51 57 89 00 | E info.no-st@r-stahl.com | stahl-tranberg.com  
Oslo office | Lührtoppen 2 | N-1470 Lørenskog, Norway | T +47 24 08 44 10 | E info.no-os@r-stahl.com | stahl-tranberg.com

# TRANBERG® NAVIGATION LIGHT

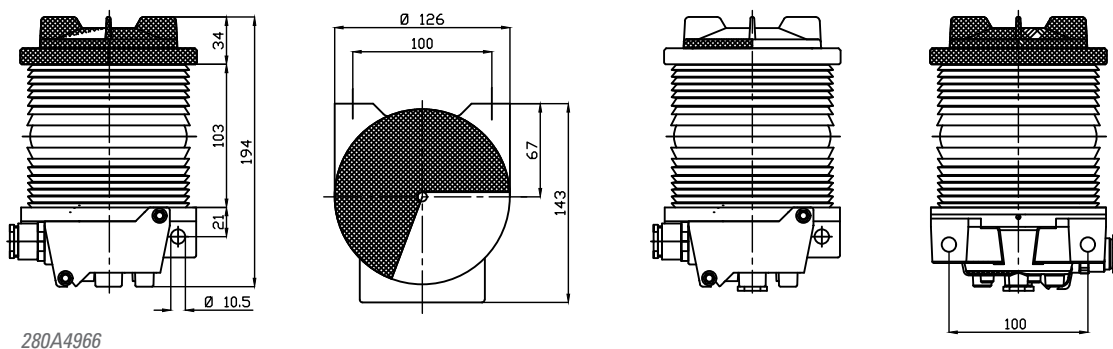
TEF 2870 Ex Navigation Light for vessels 20-50m and more than 50m in length

Zone 2 & Safe Area

| Description                      | Type          |        | Colour | Weight | Part No.  |
|----------------------------------|---------------|--------|--------|--------|-----------|
| TEF 2870 Navigation light Zone 2 | Masthead      | 225°   | White  | 2 kg.  | 2870 019  |
| TEF 2870 Navigation light Zone 2 | Starboard     | 112,5° | Green  | 2 kg.  | 2870 1019 |
| TEF 2870 Navigation light Zone 2 | Port          | 112,5° | Red    | 2 kg.  | 2870 2019 |
| TEF 2870 Navigation light Zone 2 | Stern         | 135°   | White  | 2 kg.  | 2870 3019 |
| TEF 2870 Navigation light Zone 2 | Stern Suez    | 135°   | Red    | 2 kg.  | 2870 3229 |
| TEF 2870 Navigation light Zone 2 | Stern towing  | 135°   | Yellow | 2 kg.  | 2870 3319 |
| TEF 2870 Navigation light Zone 2 | All round     | 360°   | White  | 2 kg.  | 2870 5109 |
| TEF 2870 Navigation light Zone 2 | 1/2 All round | 180°   | White  | 2 kg.  | 2870 5119 |
| TEF 2870 Navigation light Zone 2 | All round     | 360°   | Green  | 2 kg.  | 2870 6109 |
| TEF 2870 Navigation light Zone 2 | 1/2 All round | 180°   | Green  | 2 kg.  | 2870 6119 |
| TEF 2870 Navigation light Zone 2 | All round     | 360°   | Red    | 2 kg.  | 2870 7109 |
| TEF 2870 Navigation light        | 1/2 All round | 180°   | Red    | 2 kg.  | 2870 7119 |

| Description Options and Spare Parts              | Part No.  |
|--|-----------|
| Light source P28S 24V 40W                        | 9400 049  |
| Mounting Bracket 1"                              | 2600      |
| Mounting Bracket 2"                              | 2440      |
| Lamp holder P28S 24V 40W                         | 5088 0019 |
| Gasket, junction box                             | 5003 0164 |
| O-ring, top lid                                  | 5000 0051 |
| Cable gland M20 (Ø9,0-14,3mm)                    | 6222 010  |
| Gland PG9 Ø3,5-8mm for restricted breathing test | 5656      |

## Dimensions



R. STAHL TRANBERG AS

Main office | Strandsvingen 6 | N-4032 Stavanger, Norway | T +47 51 57 89 00 | E info.no-st@r-stahl.com | stahl-tranberg.com

Oslo office | Luhrtoppen 2 | N-1470 Lørenskog, Norway | T +47 24 08 44 10 | E info.no-os@r-stahl.com | stahl-tranberg.com