



**TOEPASSING**

- Op alle zeegaande schepen met een lengte van minder dan 50 meter
- Voor alle schepen in de Rijn- en (Europese) Binnenvaart
- NAVO codificatie

**MATERIALEN**

- Matzwart polycarbonaat, versterkt met glasvezel
- Corrosievrij, zeewaterbestendig, a-magnetisch
- Fresnel polycarbonaat lens, stootvast

**ELEKTRISCHE AANSLUITING**

Kabelafdichting PG13, via onderzijde of achterzijde

**BESCHERMINGSGRAAD**

IP56

**BEVESTIGING**

- Standaard voetbevestiging
- Ombouwset voor zijbevestiging en hijsbaar

**APPLICATION**

- For all seagoing vessels with a length less than 50 metres
- For all vessels in Rhine and (European) Inland navigation
- NATO codification

**MATERIALS**

- Matt black polycarbonate reinforced with fibreglass
- Corrosion-free, seawater resistant, non-magnetic
- Fresnel polycarbonate lens, shock resistant

**WIRING**

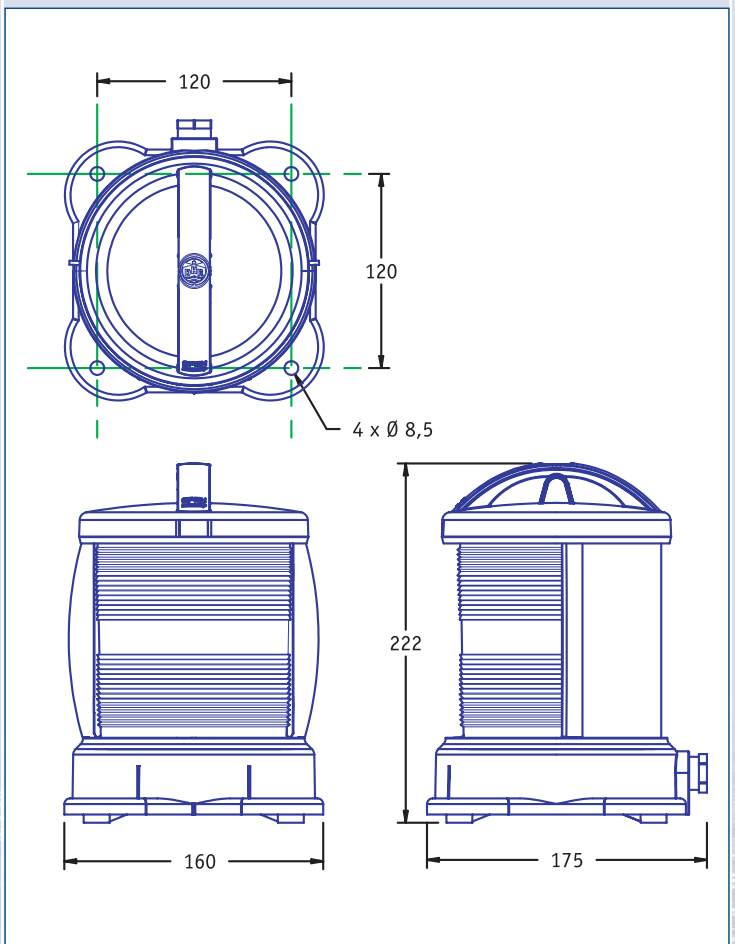
Cable gland PG13, from below or side

**PROTECTION CLASS**

IP56

**MOUNTING**

- Standard base mounting
- Conversion set for bracket mounting and hoisting





55.99.75.00 Tuimelbeugel rond, voor Top  
*Bracket round, for Masthead*

55.99.80.00 Tuimelbeugel ruit, voor Top  
*Bracket diamond, for Masthead*

55.99.01.00 Bovendeel - Stuurboord / *Top part - Starboard*  
 55.99.02.00 Bovendeel - Bakboord / *Top part - Port*  
 55.99.03.00 Bovendeel - Top / *Top part - Masthead*  
 55.99.04.00 Bovendeel - Hek / *Top part - Stern*  
 55.99.04.09 Bovendeel - Sleep / *Top part - Towing*  
 55.99.06.00 Bovendeel - Rondschijnend wit / *Top part - all round white*  
 55.99.06.10 Bovendeel - Manoeuvrer / *Top part - Manoeuvring*  
 55.99.07.00 Bovendeel - Rondschijnend rood / *Top part - All-round red*  
 55.99.08.00 Bovendeel - Rondschijnend groen / *Top part - All-round green*  
 55.99.09.00 Bovendeel - Rondschijnend geel / *Top part - All-round yellow*  
 55.99.10.00 Bovendeel - Rondschijnend blauw / *Top part - All-round blue*  
 55.99.10.05 Bovendeel - Stuurlicht / *Top part - Direction light*

55.99.02.30 Gloeilamp / *Bulb Bay15d* 230V 53W 40cd  
 55.99.01.15 Gloeilamp / *Bulb Bay15d* 115V 47W 40cd  
 55.99.00.24 Gloeilamp / *Bulb Bay15d* 24V 25W 40cd  
 55.99.00.12 Gloeilamp / *Bulb Bay15d* 12V 25W 40cd

55.99.65.00 Lamphouderkap  
*Lampholder cap*

55.99.70.00 Afdichting  
*Gasket*

55.99.60.00 Bodemstuk compleet  
*Lampholder complete*

70.99.99.00 Ombouw set DHR55N hijsbaar  
*Conversion set DHR55N for hoisting*

55.99.90.00 Ombouw set DHR55N zijbevestiging  
*Conversion set DHR55N for bracket*

Soort Sector	Type Sectional	ART. CODE	KG	Goedkeuring Approval	Min. zichtbaarheid Min. Visibility
Stuurboord	Starboard	55.01.00.00	1.0	COLREG'72 - RPR/BPR	2 N.M.
Bakboord	Port	55.02.00.00	1.0	COLREG'72 - RPR/BPR	2 N.M.
Top	Masthead	55.03.00.00	1.0	COLREG'72 - RPR/BPR	5 N.M.
Hek	Stern	55.04.00.00	1.0	COLREG'72 - RPR/BPR	2 N.M.
Sleep	Towing	55.04.09.00	1.0	COLREG'72 - RPR/BPR	2 N.M.
Stuurlicht	Direction light	55.10.00.05	1.0	Narrow (Panama) canals	-
<b>Rondschijnend*</b>	<b>All-round*</b>				
Wit	White	55.06.00.00	0.8	COLREG'72 - RPR/BPR	2 N.M.
Manoeuvrer	Manoeuvring	55.06.10.00	0.8	COLREG'72	5 N.M.
Rood	Red	55.07.00.00	0.8	COLREG'72 - RPR/BPR	2 N.M.
Groen	Green	55.08.00.00	0.8	COLREG'72 - RPR/BPR	2 N.M.
Geel	Yellow	55.09.00.00	0.8	COLREG'72 - RPR/BPR	2 N.M.
Blauw	Blue	55.10.00.00	0.8	RPR/BPR	2 N.M.

\* Ook verkrijgbaar met 180°-scherm / \* Also available with 180°-screen

File name:  
SPEC DHR55N-002

Rev.	Rev. Date	Description	Approved

**NAVIGATION LIGHT DHR55N**

**Application:**

- For all power driven vessels with a length of less than 50 metres
- Rhine and European inland navigation

**Construction:**

- According to International Regulations for Preventing Collisions at Sea; COLREG72 and latest amendments
- Conform Rhine and European inland navigation rules
- In compliance with the Directives 96/98/EC and 82/714/EC, following the European standard: EN 14744, Inland navigation vessels and sea-going vessels - navigation light

**Materials:**

- Housing, mat black, polycarbonate, reinforced with fibre glass
- Lampholder cover, mat black, high-gride of polyamide, reinforced with fibre glass
- Screen, stainless steel 316, seawater resistant, non-magnetic
- Fresnel lens, shock resistant, UV stabilized polycarbonate

**Protection class:**

IP 56

**Min. visibility:**

- Starboard - bright 2 n.m.
- Port light - bright 2 n.m.
- Masthead - intense 5 n.m.
- Stern - bright 2 n.m.
- Towing light - bright 2 n.m.
- All-round white 2 NM - bright 2 n.m.
- All-round white 5 NM 5 n.m.
- All-round red - bright 2 n.m.
- All-round green - bright 2 n.m.
- All-round yellow - bright 2 n.m.
- All-round blue - normal 1 n.m.

**Electrical insulation class:**

II, (double insulated)

**Bulb:**

- Bay15d 230V 25W (Direction light only)
- Bay15d 24V 25W 40cd
- Bay15d 12V 25W 40cd

**Mounting:**

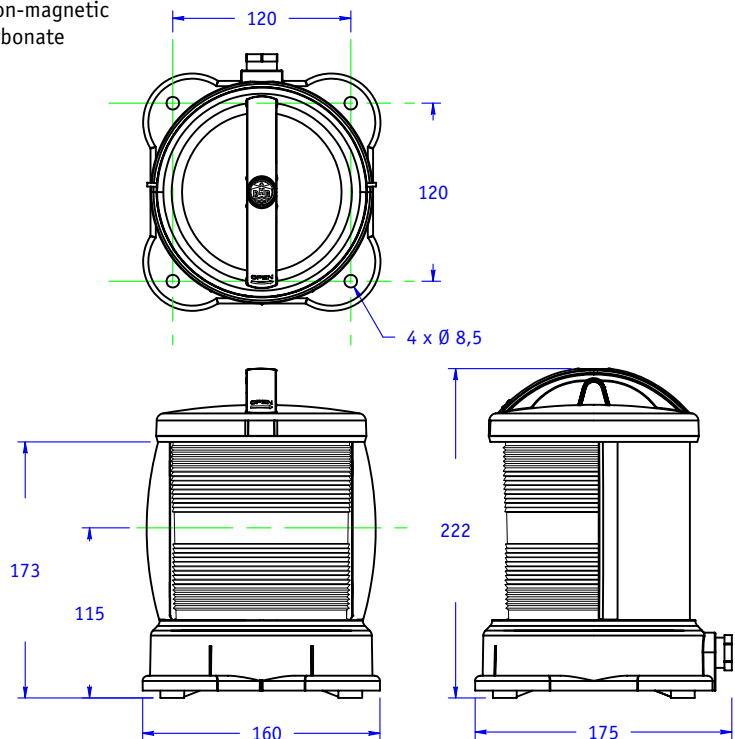
Base mounting standard for all lights

**Positioning:**

See drawing SPEC. DHR55N-009 and SPEC. DHR55N-010

**Mounting instructions:**

See drawing SPEC. DHR55N-010



All dimensions in mm.

Type: **DHR55N**

Document Title:

**Specification Navigation Light DHR55N**

Draftsman:

**Den Haan Rotterdam B.V.**

Wijnhaven 81  
3011WK Rotterdam

Checked by:

Approved:

Title:

**Technical data and dimensions**

Date:  
**18-01-2007**

Draw No.:  
DHR55N-002

**A4**

Scale: -

Rev. No.: 1

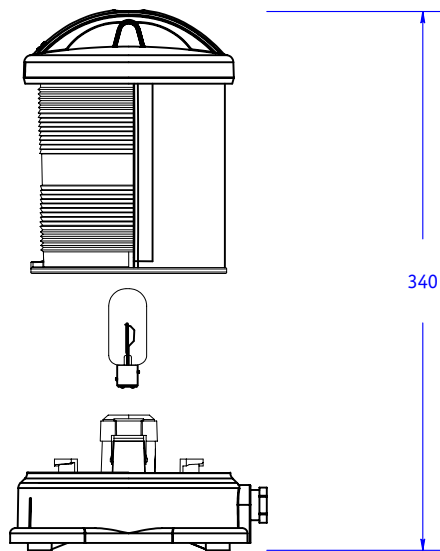
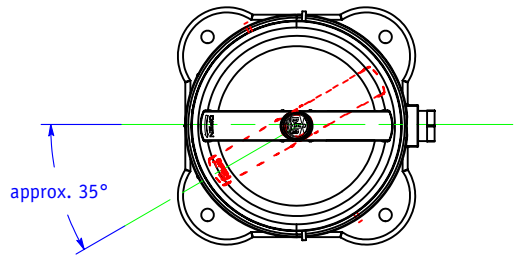
File name: SPEC DHR55N-003	Rev.	Rev. Date	Description	Approved

<b>DHR55N</b>	<b>Min. visibility</b>	<b>Lens colour</b>	<b>Art. code</b>
<u>Sector lights</u>			
Starboard	2 n.m.	Green	55.01.00.00
Port light	2 n.m.	Red	55.02.00.00
Masthead	5 n.m.	Clear	55.03.00.00
Stern	2 n.m.	Grey	55.04.00.00
Towing	2 n.m.	Yellow	55.04.09.00
<u>All-round lights</u>			
White - 2 NM	2 n.m.	Grey	55.06.00.00
White - 5 NM	5 n.m.	Clear	55.06.10.00
Red	2 n.m.	Red	55.07.00.00
Green	2 n.m.	Green	55.08.00.00
Yellow	2 n.m.	Yellow	55.09.00.00
Blue	2 n.m.	Blue	55.10.00.00
<b>DHR55N (special lights)</b>			
<u>Sector lights</u>			
Stern - red (Suez light)	2 n.m.	Red	55.04.09.00
Direction light (Panama light)	-	Blue	55.10.00.05
Convoy light	1 n.m.	Blue	55.11.00.00
<u>All-round lights, screened</u>			
White - 3NM	2 n.m.	Grey	55.06.01.80
Red	2 n.m.	Red	55.07.01.80
Green	2 n.m.	Green	55.08.01.80
Yellow	2 n.m.	Yellow	55.09.01.80

Type: <b>DHR55N</b>  Document Title:  <b>Specification Navigation Light DHR55N</b>	Draftsman:	<b>Den Haan Rotterdam B.V.</b>		
	Checked by:	Wijnhaven 81 3011WK Rotterdam		
	Approved:	Title: <b>Types</b>		
	Date: 18-01-2007		Draw No.: DHR55N-003	<b>A4</b>
		Scale: -	Rev. No.: 1	

File name:  
SPEC DHR55N-004

Rev.	Rev. Date	Description	Approved



All dimensions in mm.

Type: **DHR55N**

Document Title:

**Specification Navigation Light DHR55N**

Draftsman:

**Den Haan Rotterdam B.V.**  
Wijnhaven 81  
3011WK Rotterdam

Checked by:

Approved:

Title: **Minimum maintenance and working space**

Date:  
**18-01-2007**

Draw No.:  
DHR55N-004

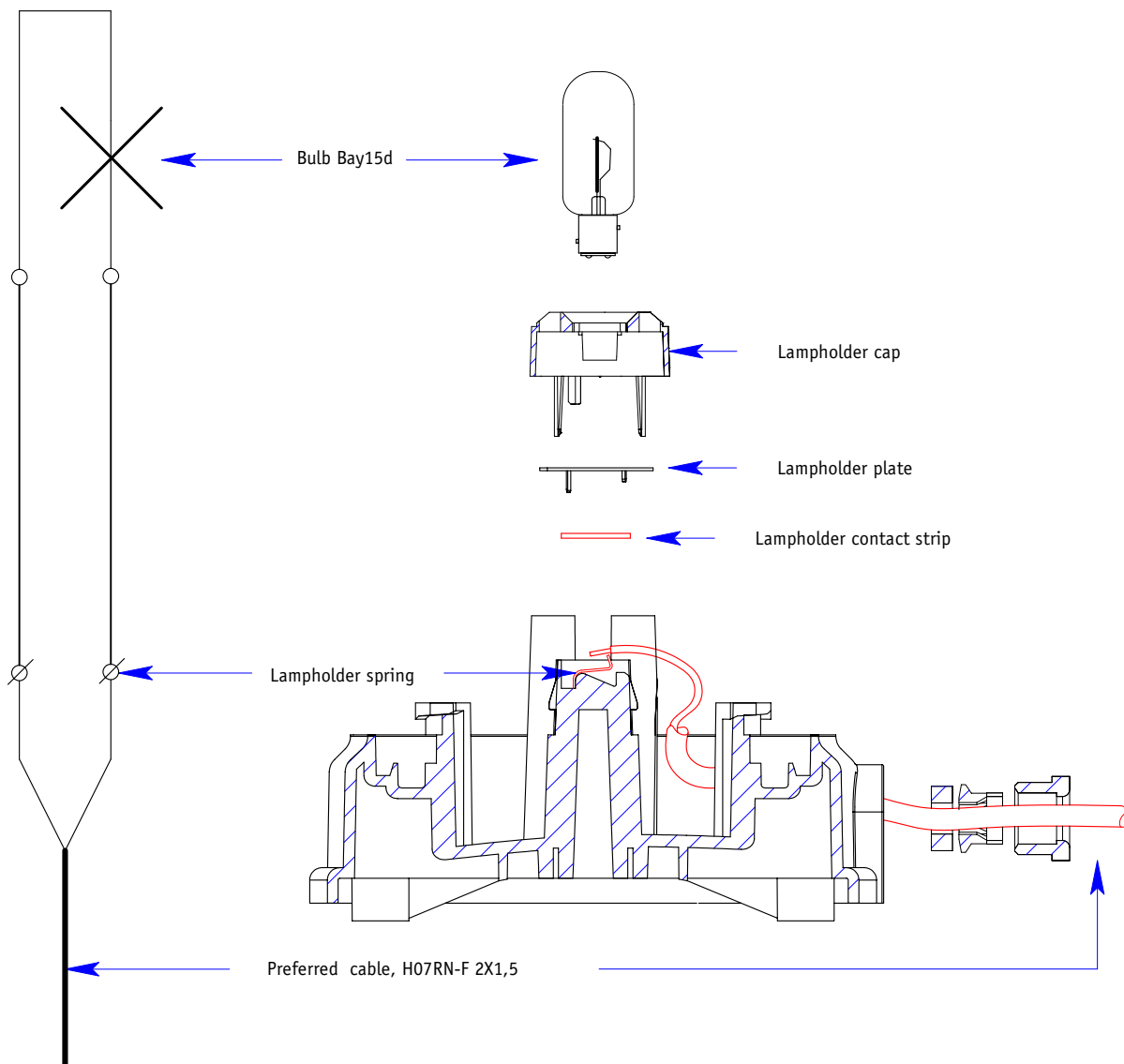
**A4**

Scale: -

Rev. No.: 1

File name:  
SPEC DHR55N-008

Rev.	Rev. Date	Description	Approved



Type: **DHR55N**

Document Title:

**Specification Navigation Light DHR55N**

Draftsman:

**Den Haan Rotterdam B.V.**

Wijnhaven 81

3011WK Rotterdam

Checked by:

Approved:

Title:

**Electrical diagram**

Date:  
23-01-2007

Draw No.:  
DHR55N-008

**A4**

Scale: -

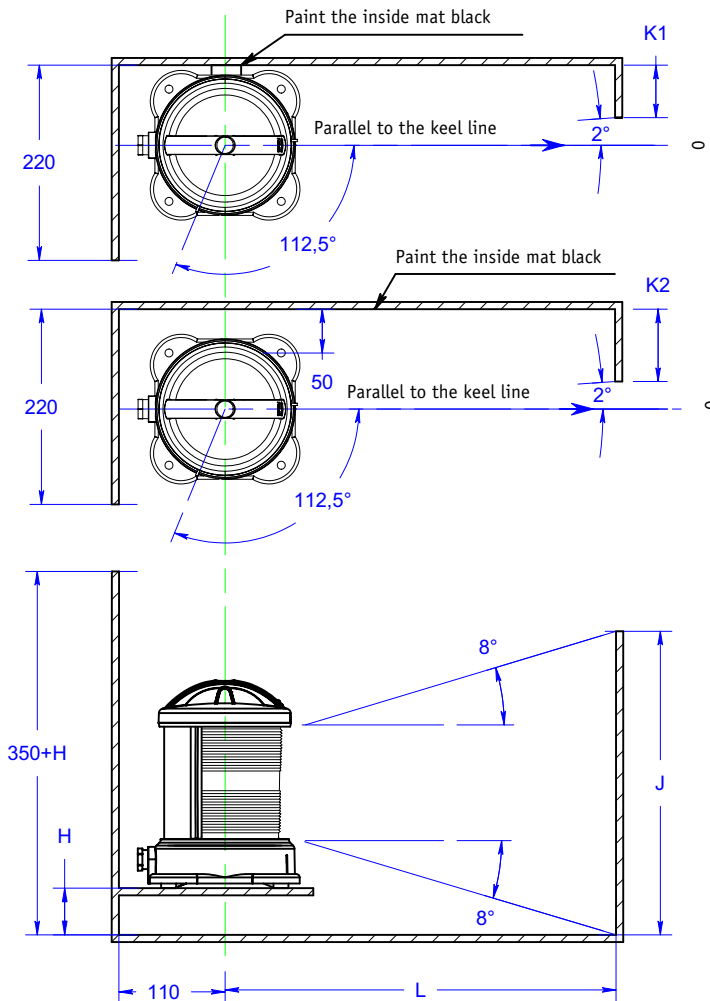
Rev. No.: 1

File name:  
SPEC DHR55N-009

Rev.	Date	Description	Approved

**For Navigation Light DHR55N**

The navigation lights are in compliance with the International Regulations (COLREG 1972).  
The correct function may be guaranteed only if the navigation light is mounted in accordance with this drawing and table. (see also drawing SPEC. DHR55N-010)



L	H	K1	K2	J
345	0	77	98	225
400	8	75	96	240
500	22	71	92	268
600	36	68	89	296
700	50	65	86	324
800	64	61	82	352
910	79	57	78	383

All dimensions in mm.

Type: **DHR55N**

Document Title:

**Specification Navigation Light DHR55N**

Draftsman:

**Den Haan Rotterdam B.V.**  
Wijnhaven 81  
3011WK Rotterdam

Checked by:

Approved:

Title:

**Positioning Side Lights**

Date:  
23-01-2007

Draw No.:  
DHR55N-009

**A4**

Scale: -

Rev. No.: 1

File name:  
SPEC DHR55N-010

Rev.	Rev. Date	Description	Approved

**For All-Round Light DHR55N**

The navigation light must be mounted in such a way, that the arc between the longitudinally axle of light itself to the mast or obstacle does not exceed 6°.

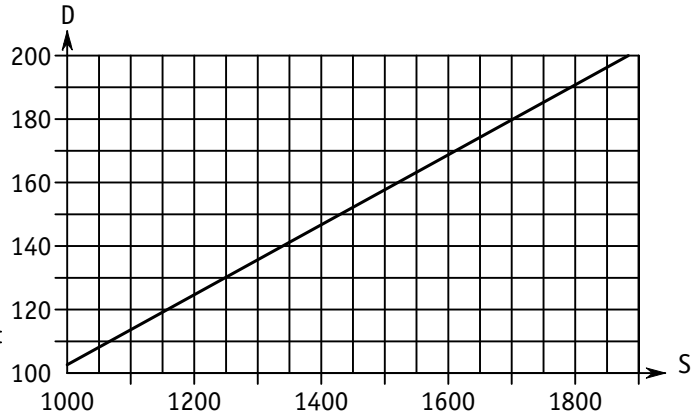
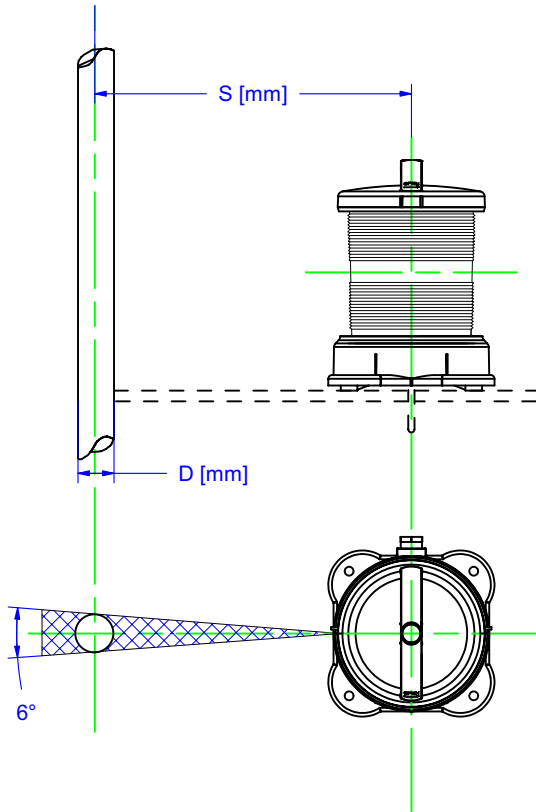


Diagram for choosing the minimum distance between obstacle and mounting plate

**Mounting plate**

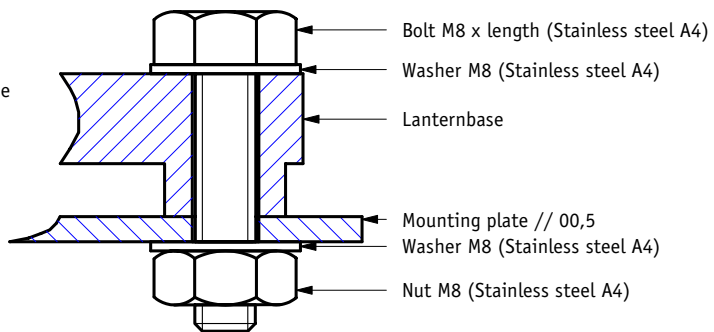
The mounting plate for navigation lights should be at least 3mm thick and should not exceed a parallelism of // 00,5.

**Torque**

The permissible torque should be 15Nm

**Important**

Do not paint or use any other chemical for the lanterns, clean only with fresh water.



All dimensions in mm.

Type: **DHR55N**

Document Title:

**Specification Navigation Light DHR55N**

Draftsman:

**Den Haan Rotterdam B.V.**  
Wijnhaven 81  
3011WK Rotterdam

Checked by:

Approved:

Title: **Positioning All-round lights  
Typical mounting detail**

Date:  
23-01-2007

Draw No.:  
DHR55N-010

Scale: -

Rev. No.: 1

**A4**



File name:  
SPEC DHR55N-010B

Rev.	Rev. Date	Description	Approved

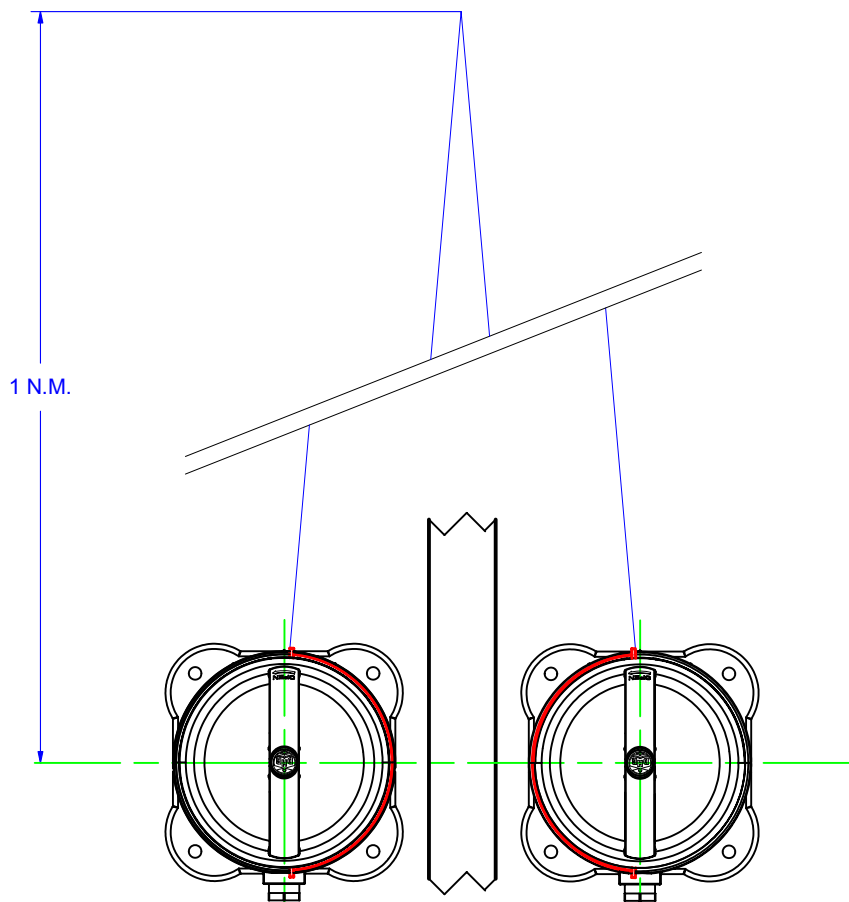
**For screened All-Round Light DHR55N**

The screened navigations light must be mounted in such a way, that is in accordance with the international regulations for preventing collisions at sea 1972 and latest amendments in reckon with Annex 1 Paragraph 9(b)(ii)

**Informative remarks**

Annex 1 Paragraph 9(b)(ii) states that: If it is impracticable to comply with that rule by exhibiting only one all-round light, two all-round lights shall be used suitably positioned or screened so that they appear, as far as practicable, as one light at a distance of one mile.

The correct positioning and installation of the screened all-round light is the solely responsibility of the installer. Den Haan Rotterdam accepts no responsibility to any damage if the screened all-round light is improper used, positioned or installed.



All dimensions in mm.

Type: **DHR55N**

Document Title:

**Specification Navigation Light DHR55N**

Draftsman:

**Den Haan Rotterdam B.V.**  
Wijnhaven 81  
3011WK Rotterdam

Checked by:

Approved:

Title: **Positioning screened All-round lights**

Date:  
**24-01-2007**

Draw No.:  
DHR55N-010B

**A4**

Scale: -

Rev. No.: 1