

# TRANBERG® SEARCHLIGHTS

TEF 2630 Searchlight Halogen 2000W Bridge Operated

Safe Area



Tranberg's searchlights are all designed for rough environments.

It is the policy of Tranberg to provide products and services that meet the highest standards of quality in the industry and the performance needs and expectations of our customers.

Achievement of this objective requires that all products perform reliably and efficiently and in a manner that assures continuing market competitiveness.

## Application

- Halogen searchlight can with advantage be used on fishing boats, tug-boats, supply ships, cargo and tank vessels.
- Dimensions and lamp power depends on type of ship and area of application.

## Features and benefits

- Applicable to sub-zero temperatures of -50°C (-58°F)

## Options

- Spread filter
- Pedestal
- Canvas cover
- Anti-condensation heater in drum.
- Remote controlled narrow or wide beam.
- Control panel: See TEF 2610



## Technical Data

Material barrel:	Stainless steel
Material back plate:	Stainless steel
Material mounting:	Crutch - Stainless steel
Material base:	Stainless steel
Material lens:	Toughened soda-lime glass
Material mirror:	Silver plated glass reflector
Finish:	All white surface powder coated (RAL 9010 to 70-80uM.
Ingress protection:	IP56 (DIN40050)
Weight searchlight:	36 kg.
Weight pedestal:	4,8 kg / 10,2 kg.
Weight manoeuvre bar:	Short: 1,7 kg. Long: 3,4 kg.

TRANBERG **STAHL**

THE STRONGEST LINK.

## R. STAHL TRANBERG AS

Main office | Strandsvingen 6 | N-4032 Stavanger, Norway | T +47 51 57 89 00 | E info.no-st@r-stahl.com | stahl-tranberg.com  
Oslo office | Luhrtoppen 2 | N-1470 Lørenskog, Norway | T +47 24 08 44 10 | E info.no-os@r-stahl.com | stahl-tranberg.com

# TRANBERG® SEARCHLIGHT

TEF 2630 Searchlight Halogen 2000W Bridge Operated

Safe Area

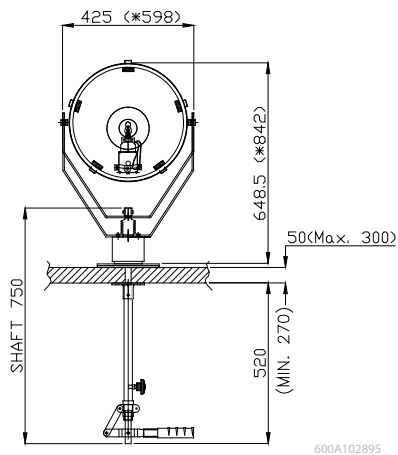
Description									Part No.
Mirror Size	Watt	Volt	Peak Beam Candela Power	Range M 1 lux at target	Divergence	Pan°	Pedestal	Tilt°	
450mm (18")	2000	230*	5,6 x 10 <sup>6</sup>	2366	10,8°	370	N/A	+15 -35	2630415410
Halogen	2000	230*	5,6 x 10 <sup>6</sup>	2366	10,8°	370	300mm	+15 -35	2630415413
	2000	230*	5,6 x 10 <sup>6</sup>	2366	10,8°	370	800mm	+15 -35	2630415418

**Optical Performance:** All data shown above is theoretical and calculated to IES Formulae

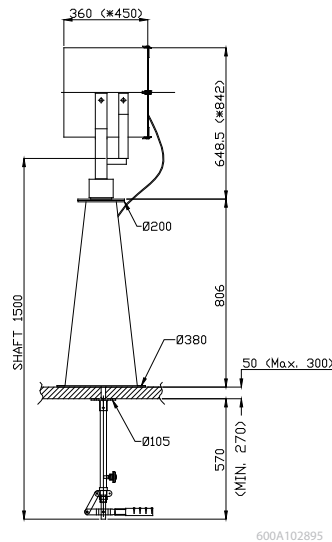
\*Other voltage on request

## Dimensions

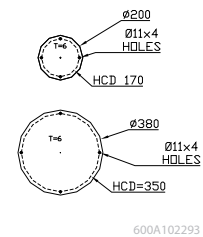
Front view without stand



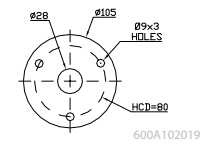
Front view with stand



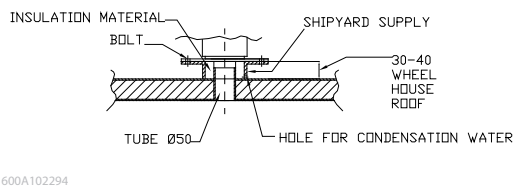
Dimensions on stand



Dimensions on flange



Alternative mounting without stand



Alternative mounting w/ stand

