

TRANBERG® JUNCTION BOX

Type 1058 For Heat Trace Wall Mounted

Zone 1, Zone 2 & Safe Area



Tranberg heat trace boxes are represented in most of the oil installations in the North Sea, and also petrochemical industries and other industries subjected to rough environments.

Tranberg has designed and manufactured heat tracing equipment and heating applications for rough environments for more than 25 years.

Our product range includes therefore a number of different heat tracing junction boxes.

Application

- Hazardous areas
- Chemical and petrochemical industries
- Industrial plants (for frost protection or temperature maintenance)
- According to NORSOK requirements

Features and benefits

- High ingress protection. IP66/67 is standard, IP 67 without drain plug.
- Manufactured in acid proof stainless steel (AISI 316L)
- Stainless steel type label spot welded to the cover.
- Several earthing alternatives.
- Maximum strength and corrosion resistance.
- High operational reliability.
- Low lifetime maintenance cost.
- Recommended for up to 2 heating cables.

Equipped with

- 4 pc. Ø25 entries.
- 10581108, 10581118, 10581128 and 10581138: 4 pcs. terminals PHOENIX MUT 4 and 2 pcs. terminals PHOENIX MUT 6
- 10581119: 9 pcs. terminals PHOENIX UT 6

Approvals and certificates

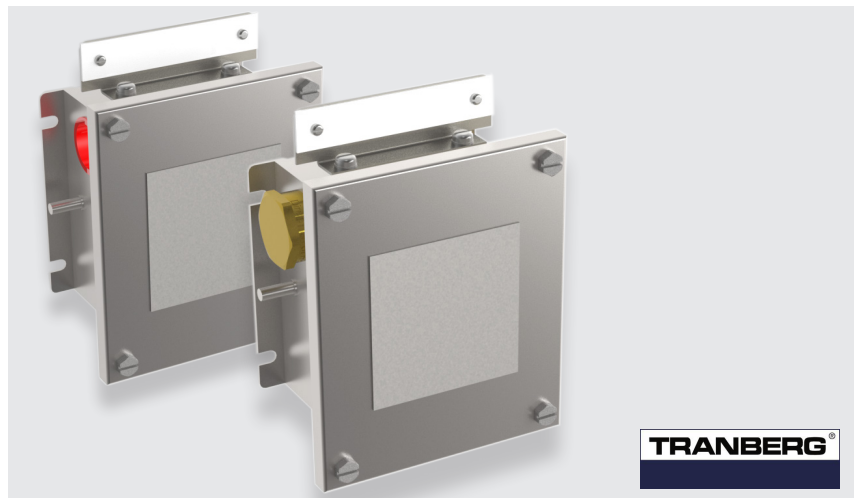
ATEX: Presafe 14ATEX4124

IECEX: IECEX PRE 14.0001

Compliance standards:

Directive 2014/34/EU

Refer to EU Declaration of conformity for more details.



Technical Data

Ex-protection:	Ex II 2 G Ex eb IIC T5 Gb
Water Ingress Protection:	IP66/67
Material:	AISI 316L / EN 1.4404
Finish:	10581108, 10581118 and 10581119: Bright chemical dip 10581128 and 10581138: Electro polished
Voltage:	105811*8: Max 4(6)mm ² 440V 10581119: Max 6mm ² 440V
Tamb (Operation):	-40°C to +40°C

R. STAHL TRANBERG AS

Main office | Strandvingen 6 | N-4032 Stavanger, Norway | T +47 51 57 89 00 | E info.no-st@r-stahl.com | stahl-tranberg.com

TRANBERG STAHL

THE STRONGEST LINK.

TRANBERG® JUNCTION BOX

Type 1058 For Heat Trace Wall Mounted

Zone 1, Zone 2 & Safe Area

Description	Weight	Part No.
Junction box with 4 pc. Ø25 entries (with temporary plugs), Bright chemical dip. * Note 1: Label Kit not included	0,94 kg	10581108
Junction box with 4 pc. Ø25 entries (with temporary plugs), Electro polished. * Note 1 : Label Kit not included	0,96 kg	10581128
Junction box with 1 pc. cable gland E204/622 M25/D9 (Ø13,0-17,0mm), 1 pc. stopping plug M25 and 1 pc. drainplug M25, Bright chemical dip	1,26 kg	10581118
Junction box with 1 pc. cable gland E204/622 M25/D9 (Ø13,0-17,0mm), 1 pc. stopping plug M25 and 1 pc. drainplug M25, Electro polished	1,26 kg	10581138

Description Accessories	Weight	Part No.
Connection kit Wall Mounting for Raychem Cables: 3BTV-5BTV-10QTVR-15QTVR-XTV-VPL-HTV 5x11 - w/Termination kit C25-21 - HOT	0,53 kg.	9179224
Connection kit Wall Mounting for Raychem Cables: 8BTV-10BTV-20QTVR-KTV 5x15 - w/Termination kit C25-21 - HOT	0,53 kg.	9179204
Connection kit Pipe Mounting for all Raychem Cables 5x11/5x15 - w/Termination kit C25-21 - HOT	0,53 kg.	9179220
Connection kit Wall Mounting for Raychem Cables: 3BTV-5BTV-10QTVR-15QTVR-XTV-VPL-HTV 5x11 - w/Termination kit - C25-100 - COLD	0,53 kg.	9179226
Connection kit Wall Mounting for Raychem Cables: 8BTV-10BTV-20QTVR-KTV 5x15 - w/Termination kit C25-100 - COLD	0,53 kg.	9179206
Connection kit Wall Mounting for all Raychem Cables 5x11/5x15 - w/Termination kit C25-100 - COLD	0,53 kg.	9179227
<i>Note: Please see datasheet TPS5687, connection kit for wall mounting, for more part numbers and details on connection kit.</i>		
Flexible hose SS316. Inner diam. 18,8mm, outer diam.: 22,3mm. Length : 2 meter	0,5 kg.	7000080
Flexible hose SS316. Inner diam. 18,8mm, outer diam.: 22,3mm. Length : 25 meter	6,2 kg.	7000081
Adapter for flexible conduit M28x1		50791123
Cable Gland Exe: E204/622 M25/D9/9mm (Ø13,0-17,0mm), w/ lock nut	0,1 kg.	6222532
Cable Gland Exe: E204/622 M25/D1/9mm (Ø15,0-20,1mm), w/ lock nut	0,1 kg.	6222512
Stopping plug, Brass M25 Exe with lock nut	0,1 kg.	6502502
Drainplug/Breather Exe - M25-9mm w/Lock nut - Brass	0,1 kg.	7312106
Trafolyte label with mounting kit		9090025



R. STAHL TRANBERG AS

Main office | Strandsvingen 6 | N-4032 Stavanger, Norway | T +47 51 57 89 00 | E info.no-st@r-stahl.com | stahl-tranberg.com

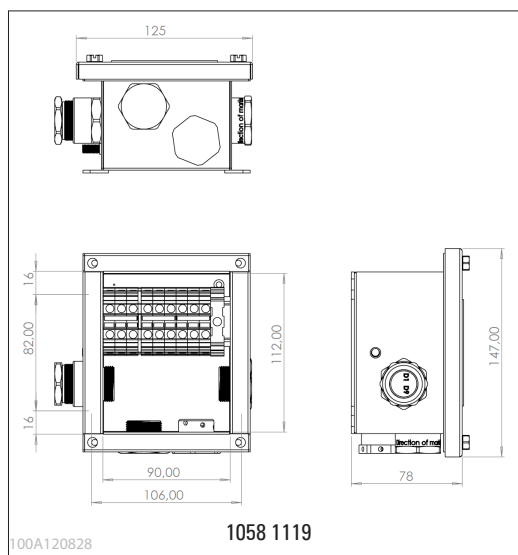
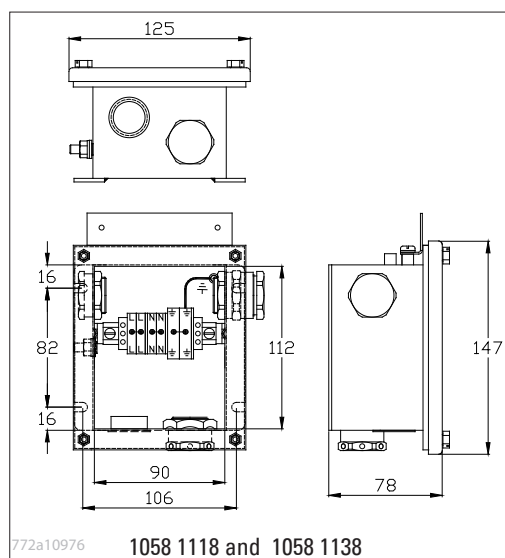
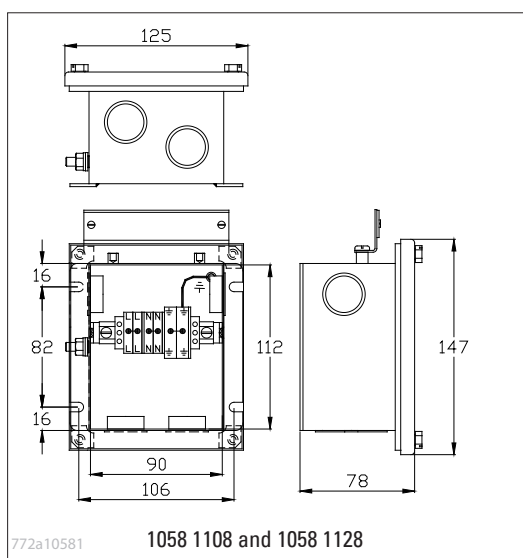
TRANBERG

TRANBERG® JUNCTION BOX

Type 1058 For Heat Trace Wall Mounted

Zone 1, Zone 2 & Safe Area

Dimensions



R. STAHL TRANBERG AS

Main office | Strandsvingen 6 | N-4032 Stavanger, Norway | T +47 51 57 89 00 | E info.no-st@r-stahl.com | stahl-tranberg.com

TRANBERG