

TRANBERG® THERMOSTAT

TEF 1058 Capillary Tube Thermostat, Pipe Mounted

Zone 1, Zone 2 & Safe Area



Application

- Hazardous areas
- Chemical and petrochemical industries
- Industrial plants (for frost protection or temperature maintenance)
- According to NORSOK requirements

Features and benefits

- High ingress protection. IP66/67 is standard. IP 67 without drain plug.
- Manufactured in acid proof stainless steel (AISI 316L)
- Stainless steel type label spot welded to the cover.
- Several earthing alternatives.
- Maximum strength and corrosion resistance.
- High operational reliability.
- Low lifetime maintenance cost.
- Recommended for up to 4 heating cables.

Equipped with

- 6 pcs. M25 stopping plugs in box
- 2 pcs. transition unit with stopping plug.
- 1 pc. cable gland Type: E204/622 M25/D9, packed inside JB.
- 1 pc. drain plug M25, packed inside JB.
- Connections for up to two power cables.
- 1 pc. label kit, packed inside JB. (9090027)

Approvals and certificates

Presafe 14ATEX4124

IECEX PRE 14.0001

Compliance standards:

Directive 2014/34/EU

Refer to EU Declaration of conformity for more details.

Refer to UK Declaration of conformity for more details.

R. Stahl Tranberg's thermostats are represented in most of the oil installations in the North Sea, and also petrochemical industries and other industries subjected to rough environments.

R. Stahl Tranberg have designed and manufactured heat tracing equipment, and heating applications for rough environments, for more than 25 years.

Our product range includes therefore a number of different heat tracing junction boxes



Technical Data

Ex-protection:	Ex II 2 (I) G Ex eb ia mb [ia Ga] IIC T5 Gb
Water Ingress Protection:	IP66 / IP67
Material:	AISI 316L / EN 1.4404
Finish:	Electro polished
Capillary tube length:	1 m
Capillary tube diam.:	6/1,5 mm
El. Contact:	1 change-over switch
Max. switching capacity N/C contact (L-2):	16 (2.5) A, cos φ = 1 (0.6) 230VAC
Max. switching capacity N/C contact (L-4):	2 (0.4) A, cos φ = 1 (0.6) 230VAC
Max. wire termination (with end sleeve):	Power in: Max. 6mm ² Heating cable (power out): Max. 4mm ² Earth terminals: Max. 10mm ²
Tamb (Operation):	-50°C to +50°C
Hysteresis:	Approx. 7% of measurement range

TRANBERG STAHL

THE STRONGEST LINK.

R. STAHL TRANBERG AS

Main office | Strandsvingen 6 | N-4032 Stavanger, Norway | T +47 51 57 89 00 | E info.no-st@r-stahl.com | stahl-tranberg.com
Oslo office | Lührtoppen 2 | N-1470 Lørenskog, Norway | T +47 24 08 44 10 | E info.no-os@r-stahl.com | stahl-tranberg.com

TRANBERG® THERMOSTAT

TEF 1058 Capillary Tube Thermostat, Pipe Mounted

Zone 1, Zone 2 & Safe Area

Description	Approx. Weight	EL. No	EAN. No	Part No.
Temperature setting -20°C to +50°C	5,2 kg.	54 000 51	7070937045255	1058 2560
Temperature setting 0°C to +120°C	5,2 kg.	54 000 52	7070937045262	1058 2561
Temperature setting 0°C to +200°C	5,2 kg.	54 000 53	7070937045279	1058 2562
Temperature setting +50°C to +300°C	5,2 kg.	54 000 54	7070937045286	1058 2563

Description Accessories	Weight	Part No.
Connection kit Pipe Mounting for Raychem Cables: 3BTV-5BTV-10QTVR-15QTVR-XTV-VPL-HTV 5x11 - w/Termination kit C25-21 - HOT	0,06 kg.	9179223
Connection kit Pipe Mounting for Raychem Cables: 8BTV-10BTV-20QTVR-KTV 5x15 - w/Termination kit C25-21 - HOT	0,06 kg.	9179218
Connection kit Pipe Mounting for all Raychem Cables 5x11/5x15 - w/Termination kit C25-21 - HOT	0,06 kg.	9179220
Connection kit Pipe Mounting for Raychem Cables: 3BTV-5BTV-10QTVR-15QTVR-XTV-VPL-HTV 5x11 - w/Termination kit C25-100 - COLD	0,06 kg.	9179225
Connection Kit Pipe Mounting for Raychem Cables: 8BTV-10BTV-20QTVR-KTV 5x15 - w/Termination kit C25-100 - COLD	0,06 kg.	9179199
Connection kit Pipe Mounting for all Raychem Cables 5x11/5x15 - w/Termination kit C25-100 - COLD	0,06 kg.	9179215
Cable Gland Exe: E204/622 M25/D9/9mm (Ø13,0-17,0mm), w/ lock nut	0,1 kg.	6222532
Cable Gland Exe: E204/622 M25/D1/9mm (Ø15,0-20,1mm), w/ lock nut	0,1 kg.	6222512



R. STAHL TRANBERG AS

Main office | Strandsvingen 6 | N-4032 Stavanger, Norway | T +47 51 57 89 00 | E info.no-st@r-stahl.com | stahl-tranberg.com

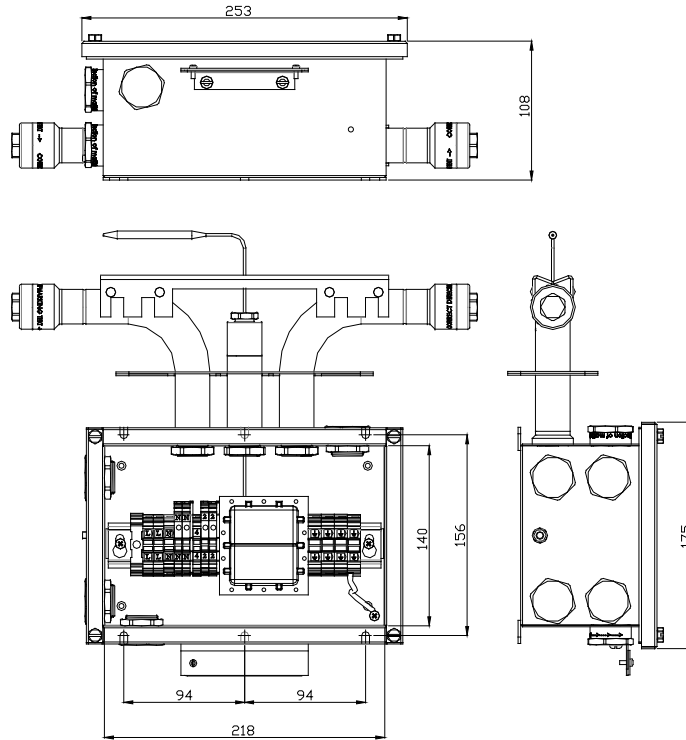
Oslo office | Lührtoppen 2 | N-1470 Lørenskog, Norway | T +47 24 08 44 10 | E info.no-os@r-stahl.com | stahl-tranberg.com

TRANBERG® THERMOSTAT

TEF 1058 Capillary Tube Thermostat, Pipe Mounted

Zone 1, Zone 2 & Safe Area

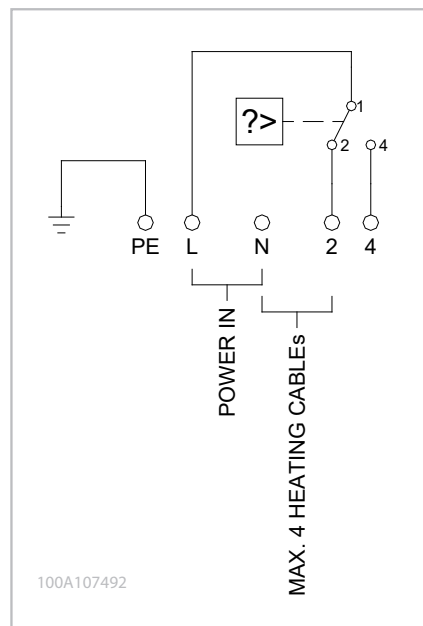
Dimensions & wirings



*** Note**

For vertical installation
re-locate drain plug to the
lowest side.

000A109536



100A107492



R. STAHL TRANBERG AS

Main office | Strandsvingen 6 | N-4032 Stavanger, Norway | T +47 51 57 89 00 | E info.no-st@r-stahl.com | stahl-tranberg.com

Oslo office | Luhrtoppen 2 | N-1470 Lørenskog, Norway | T +47 24 08 44 10 | E info.no-os@r-stahl.com | stahl-tranberg.com