

# TRANBERG® THERMOSTAT

TEF 105827 ETS PT100 Wall Mounted Controller Thermostat

Zone 1, Zone 2 & Safe Area



R. Stahl Tranberg's thermostats are represented in most of the oil installations in the North Sea, and also petrochemical industries and other industries subjected to rough environments.

## Application

- Hazardous areas
- Chemical and petrochemical industries
- Industrial plants (for frost protection or temperature maintenance)
- According to NORSOK requirements

## Features and benefits

- High ingress protection. IP66/67 is standard.
- IP 67 without drain plug.
- Manufactured in acid proof stainless steel (AISI 316L)
- Stainless steel type label spot welded to the cover.
- Several earthing alternatives.
- Maximum strength and corrosion resistance.
- High operational reliability.
- Low lifetime maintenance cost.
- Recommended for up to 2 heating cables.

## Equipped with

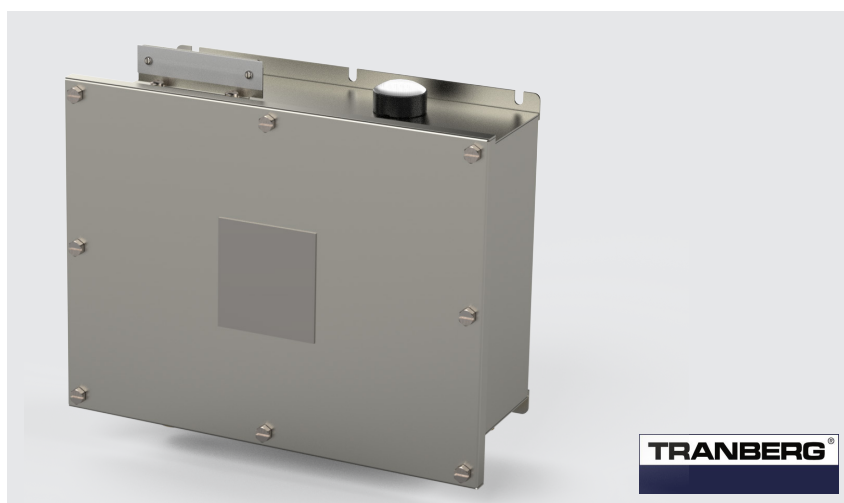
- 1x cable gland: E204/622 M25/D9, for power.
- 1x cable gland: E204/622 M20/B2, for PT100 sensor.
- 2x stopping plugs M25.
- 1x drain plug M25.
- 1x label kit, inside JB. (9090 025)
- PT100 Temperature sensor, 1.8 meter cable length

## Approvals and certificates

PTB 09ATEX1109 (8150/5)

R. Stahl Tranberg have designed and manufactured heat tracing equipment, and heating applications for rough environments, for more than 25 years.

Our product range includes therefore a number of different heat tracing junction boxes



## Technical Data

Type designation:	8150/5
Ex-protection:	Ex II 2 (I) G Ex eb ia mb [ia Ga] IIC T5 Gb
Water Ingress Protection:	IP66 (IP 67 if drain plug is replaced with IP67 stopping plug)
Material:	AISI 316L / EN 1.4404
Finish:	Bright polished dip
El. Contact:	1xNO
Switching differential (Hysteresis):	≈ 3°C
Max. switching capacity:	16A Resistive load
Max. wire termination (with end sleeve):	Power in: Max. 6mm <sup>2</sup> Heating cable (power out): Max. 4mm <sup>2</sup> Earth terminals: Max. 10mm <sup>2</sup>
Tamb (Operation):	-40 to +40°C

TRANBERG STAHL

THE STRONGEST LINK.

## R. STAHL TRANBERG AS

Main office | Strandsvingen 6 | N-4032 Stavanger, Norway | T +47 51 57 89 00 | E info.no-st@r-stahl.com | stahl-tranberg.com  
Oslo office | Luhrtoppen 2 | N-1470 Lørenskog, Norway | T +47 24 08 44 10 | E info.no-os@r-stahl.com | stahl-tranberg.com

# TRANBERG® THERMOSTAT

TEF 105827 ETS PT100 Wall Mounted Controller Thermostat

Zone 1, Zone 2 & Safe Area

Description	EL. No	Part No.
Temperature setting 0°C to +499°C	1436320	10582703
Temperature setting 0°C to +199°C	1436339	10582723

Description Accessories	Weight	Part No.
Mechanical protection kit M20 for PT100 Temperature sensors - Cable diameter 4.5-7.5mm	0,37 kg.	9178047
Mechanical protection kit M16 for PT100 Temperature sensors - Cable diameter 4.5-9,1mm	0,37 kg.	9178048
Mechanical protection kit M25 for PT100 Temperature sensors - Cable diameter 4.5-7.5mm	0,37 kg.	9178049
Connection kit Wall Mounting for Raychem Cables: 3BTV-5BTV-10QTVR-15QTVR-XTV-VPL-HTV 5x11 - w/Termination kit C25-21 - HOT	0,37 kg.	9179224
Connection kit Wall Mounting for Raychem Cables: 8BTV-10BTV-20QTVR-KTV 5x15 - w/Termination kit C25-21 - HOT		9179204
Connection kit Wall Mounting for Raychem Cables: 3BTV-5BTV-10QTVR-15QTVR-XTV-VPL-HTV 5x11 - w/Termination kit - C25-100 - COLD		9179226
Connection kit Wall Mounting for Raychem Cables: 8BTV-10BTV-20QTVR-KTV 5x15 - w/Termination kit C25-100 - COLD		9179206
Flexible hose AISI 316 for mechanical protection, Length 2 meters	0,5 kg.	7000080
Flexible hose AISI 316 for mechanical protection, Length 25 meters	6,2 kg.	7000081
Adaptor/Swivel (M28x1) for Flexible hose		50791123
Cable Gland Exe: E204/622 M25/D1/9mm (Ø15,0-20,1mm), w/ lock nut	0,1 kg.	6222512



R. STAHL TRANBERG AS

Main office | Strandsvingen 6 | N-4032 Stavanger, Norway | T +47 51 57 89 00 | E info.no-st@r-stahl.com | stahl-tranberg.com

Oslo office | Lührtoppen 2 | N-1470 Lørenskog, Norway | T +47 24 08 44 10 | E info.no-os@r-stahl.com | stahl-tranberg.com

# TRANBERG® THERMOSTAT

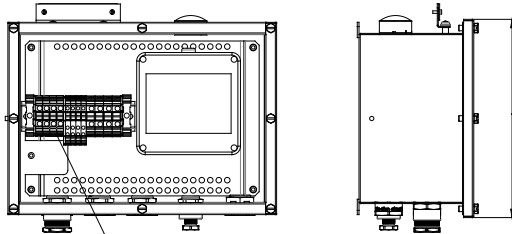
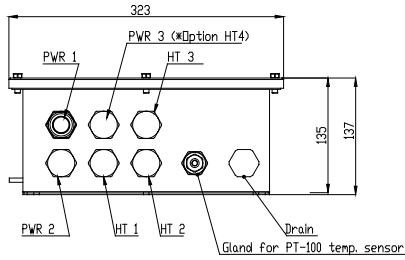
TEF 105827 ETS PT100 Wall Mounted Controller Thermostat

Zone 1, Zone 2 & Safe Area

## Dimensions

TEF 10582723 Thermostat

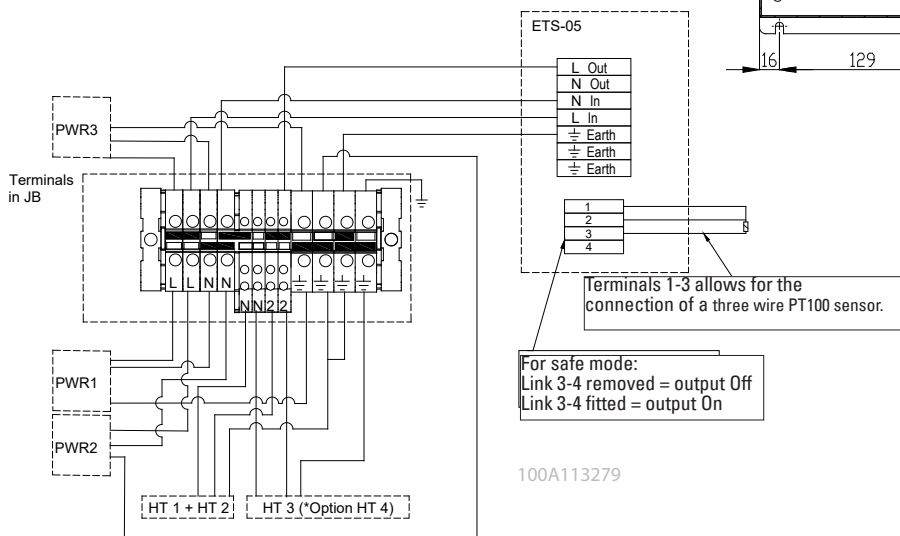
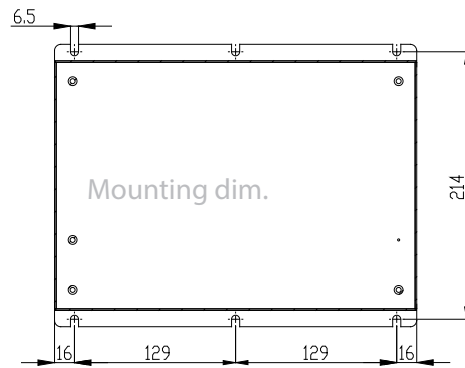
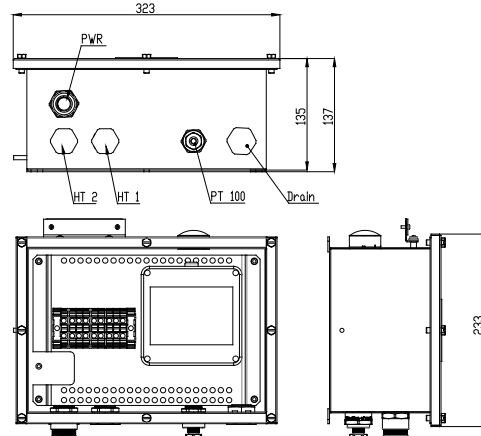
000A111918



Marking on terminals:  
L-L-N-N-N-2-2-Earth Symbol X4

TEF 10582703 Thermostat

000A111918



100A113279