

# TRANBERG® SWITCH BOX

Stahl Series 8150 with 3x16 Amp switch for heat trace  
Zone 1, Zone 2 & Safe Area



Stahl series 8150 switches make it possible to disconnect the power for only 1 part of the installation during maintenance work.

It is excellent to use at places with frequent maintenance rate, typical for Pressure Safety Valves or equals in a pipeline installation.

## Application

- Disconnect of 3 circuits up to 16A.
- Specially designed for heat tracing circuits.

## Features and benefits

- Lockable switches
- Safe technology
- Easy installation

## Approvals and certificates

PTB 09 ATEX 1109



## Technical Data

Material:	AISI 316L / EN 1.4404
Finish:	Brush finished stainless steel
Ingress protection:	IP66
Ambient temperature:	-40°C to +50°C
Voltage:	Max. 250V
Current:	16A
Ex protection:	 II 2 G Ex db eb IIC T5 Gb

TRANBERG **STAHL**

THE STRONGEST LINK.

## R. STAHL TRANBERG AS

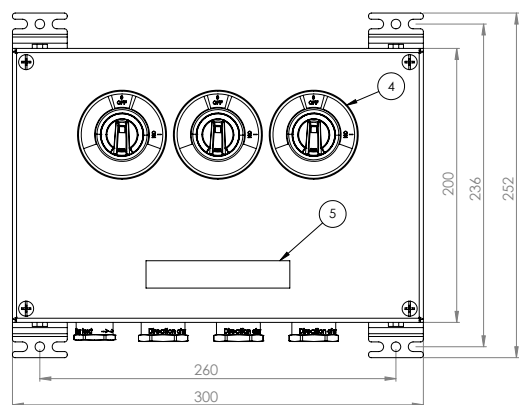
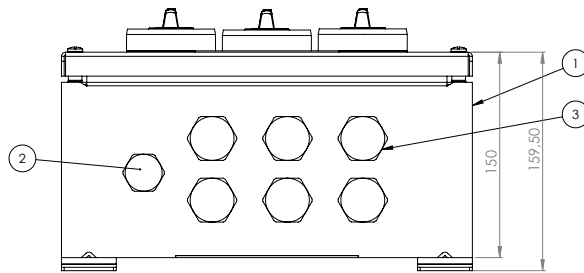
Main office | Strandsvingen 6 | N-4032 Stavanger, Norway | T +47 51 57 89 00 | E info.no-st@r-stahl.com | stahl-tranberg.com  
Oslo office | Luhrtoppen 2 | N-1470 Lørenskog, Norway | T +47 24 08 44 10 | E info.no-os@r-stahl.com | stahl-tranberg.com

# TRANBERG® SWITCH BOX

Stahl Series 8150 with 3x16 Amp switch for heat trace  
Zone 1, Zone 2 & Safe Area

Description	Part No.
Switch Box Stahl series 8150 with 3x16 Amp Switches - for Heat Trace Cable	81505002

Description Accessories	Weight	Part No.
Connection kit Wall Mounting for Raychem Cables: 3BTV-5BTV-10QTVR-15QTVR-XTV-VPL-HTV 5x11 - w/Termination kit C25-21 - HOT	0,53 kg	9179 224
Connection kit Wall Mounting for Raychem Cables: 8BTV-10BTV-20QTVR-KTV 5x15 - w/Termination kit C25-21 - HOT	0,53 kg	9179 204
Connection kit Wall Mounting 5x11/5x15 M28x1 HOT for all Raychem Cables	0,53 kg	9179 228
Connection kit Wall Mounting for Raychem Cables: 3BTV-5BTV-10QTVR-15QTVR-XTV-VPL-HTV 5x11 - w/Termination kit - C25-100 - COLD	0,53 kg	9179 226
Connection kit Wall Mounting for Raychem Cables: 8BTV-10BTV-20QTVR-KTV 5x15 - w/Termination kit C25-100 - COLD	0,53 kg	9179 206
Connection kit Wall Mounting 5x11/5x15 M28x1 COLD for all Raychem Cables	0,53 kg	9179 227
<i>Note: Please see datasheet TPS5687, connection kit for wall mounting, for more part numbers and details on connection kit.</i>		
Flexible hose, SS316. Inner diam. 18,8mm, outer diam.: 22,3mm. Length : 2 meter	0,5 kg	7000 080
Flexible hose, SS316. Inner diam. 18,8mm, outer diam.: 22,3mm. Length : 25 meter	6,2 kg	7000 081
Adapter for flexible hose M28x1		5079 1123
Cable Gland Exe: E204/622 M25/D9/9mm (Ø13,0-17,0mm), w/ lock nut	0,1 kg	6222 532
Cable Gland Exe: E204/622 M25/D1/9mm (Ø15,0-20,1mm), w/ lock nut	0,1 kg	6222 512
Stopping plug, Brass M25 Exe with lock nut	0,1 kg	6502 502
Drain plug, Brass M25 Exe with lock nut	0,1 kg	7312 106
Trafolyte label with mounting kit		9090 025



R. STAHL TRANBERG AS

Main office | Strandsvingen 6 | N-4032 Stavanger, Norway | T +47 51 57 89 00 | E info.no-st@r-stahl.com | stahl-tranberg.com

Oslo office | Luhrtoppen 2 | N-1470 Lørenskog, Norway | T +47 24 08 44 10 | E info.no-os@r-stahl.com | stahl-tranberg.com