

# TRANBERG® CONNECTION KIT

TEF 9178 mechanical protection kit for PT-100 element

Heat Trace Accessories



R. Stahl Tranberg offers a variety of different connection kits for heating cables, junction boxes and thermostats. Our aim is to provide safe, easy installable and reliable products to our customers.

This datasheet addresses R. Stahl Tranberg connection kit for PT-100 element. The PT-100 provide good accuracy and excellent stability and repeatability. PT-100 are also relatively immune to electrical noise and therefore well suited for temper-

ature measurement in industrial environments, especially around motors, generators and other high voltage equipment. For more details on PT-100 element see separate datasheet.

## Application

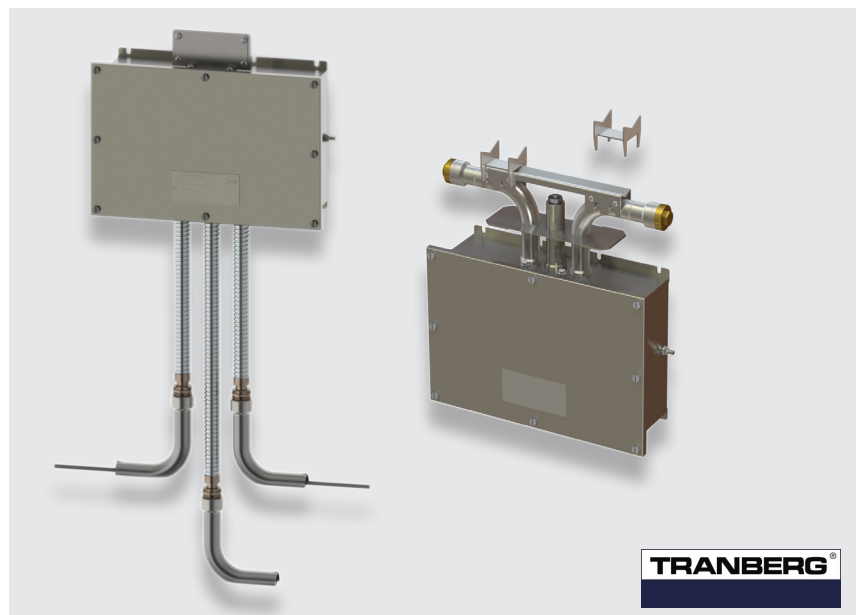
- Connection kit for IECEx temperature element PT-100.
- Temperature measurements
- Chemical and petrochemical industries
- Industrial plants (temperature maintenance)

## Features and benefits

- Easy and reliable installation.
- High operational reliability.

## Approvals and certificates

Ex zone depending on JB approvals.



## Technical Data

Material:	Stainless steel, brass, nickel plated brass, silicone
Weight:	Approx. 0,37 kg
Ingress Protection:	IP66/67

TRANBERG STAHL

THE STRONGEST LINK.

## R. STAHL TRANBERG AS

Main office | Strandsvingen 6 | N-4032 Stavanger, Norway | T +47 51 57 89 00 | E info.no-st@r-stahl.com | stahl-tranberg.com  
Oslo office | Luhrtoppen 2 | N-1470 Lørenskog, Norway | T +47 24 08 44 10 | E info.no-os@r-stahl.com | stahl-tranberg.com

# TRANBERG® CONNECTION KIT

TEF 9178 mechanical protection kit for PT-100 element

Heat Trace Accessories

Description	Part No.
Connection kit M25 for Temp-sensor D8mm - PT100 / Wall	9178045
Connection kit M25 for Temp-sensor D4.5mm - PT100 / Wall	9178046
Connection kit M20 for Temp-sensor D4.5-7.5mm - PT100 / Wall	9178047
Connection kit M16 for Temp-sensor D4.5-9,1mm - PT100 / Wall	9178048
Connection kit M25 for Temp-sensor D4.5-7.5mm - PT100 / Wall	9178049

## Illustration

