

TRANBERG® BlueLine Deck Light

TEF 2780 LED

For Area Lighting on Vessels



TRANBERG® BlueLine Lighting Series represents the highest standards in quality, cost-effective marine lighting for today's modern ships and delivers reduced CAPEX/OPEX through easy installation and no maintenance.

Application

- Area lighting for ships such as lighting of walkways, car-decks, engine rooms, cargo areas etc.

Features and benefits

- Designed for LED and optimum heat transfer.
- Plug & play -Fast and easy installation.
- Modern slim design.
- High lumen output.
- Uniform light distribution.
- Vibration resistant.
- Robust materials durable thru harsh weather, seawater resistant.
- Directional light – Less glare.
- Maintenance free - sealed for life.
- Adjustable mounting brackets.
- Power efficiency.
- Dali available.
- Manufactured in Norway.

Approvals and certificates

N/A

The Tranberg® BlueLine Series has been designed to provide marine operators with a world quality standard in marine lighting.

The series provides the very latest safety, sustainability and connectivity standards required for today's modern ship designs, including autonomous ships.



Technical Data

Material:	Extruded seawater resistant aluminum, acrylic or glass, powder coated version available
Input voltage:	100-240V AC
Light output:	2200K (2200 lm), 3000K (2500 lm) & 4000K (5000 lm),
Power consumption:	Approx. 25W & 50W* * Power consumption blue light is approx 30W
Ingress protection:	IP66/67
Weight 25W:	3,2 kg
Weight 50W:	4,7 kg.
Mounting:	Several mounting options available, adjustable distance.
Cable entries:	2x Phoenix QPD quick installation plugs for cable up to 2,5mm ²
Operating temperature:	-30° to +55°C
Light distribution:	Ultrawide, wide and medium
Light Source:	LED

TRANBERG STAHL

THE STRONGEST LINK.

R. STAHL TRANBERG AS

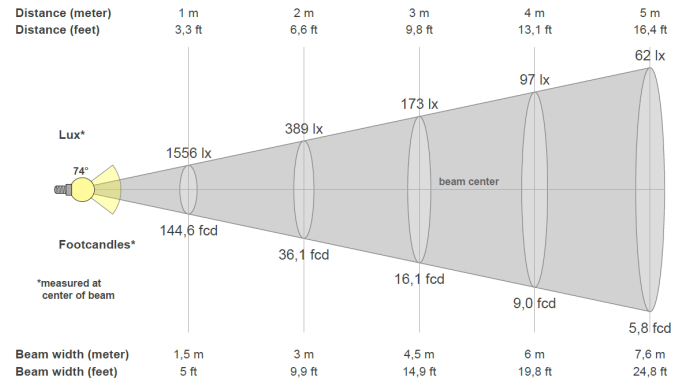
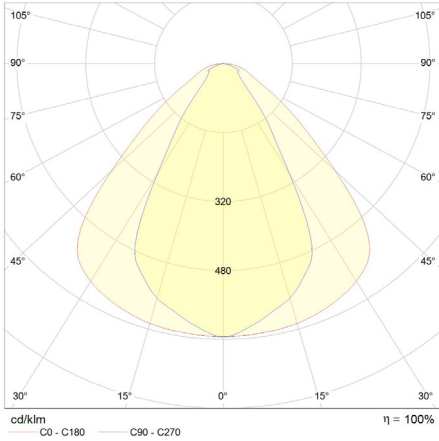
Main office | Strandsvingen 6 | N-4032 Stavanger, Norway | T +47 51 57 89 00 | E info.no-st@r-stahl.com | stahl-tranberg.com
Oslo office | Lührtoppen 2 | N-1470 Lørenskog, Norway | T +47 24 08 44 10 | E info.no-os@r-stahl.com | stahl-tranberg.com

TRANBERG® BlueLine Deck Light

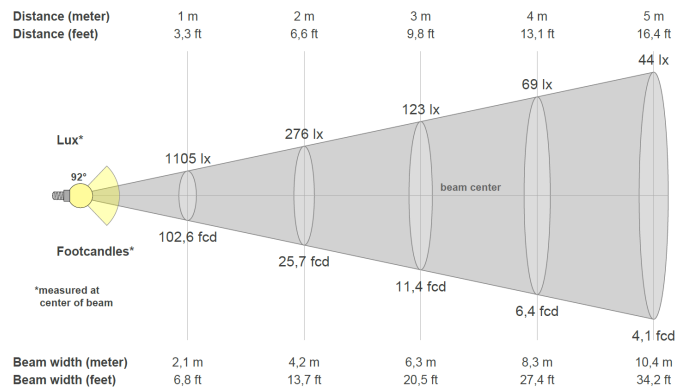
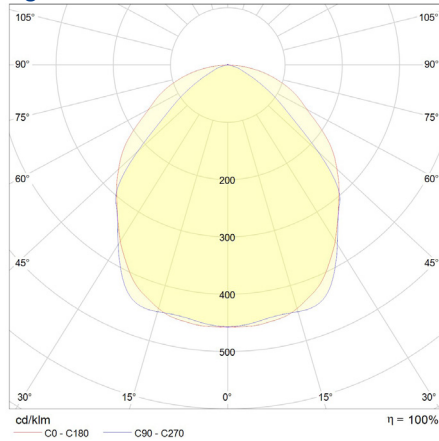
TEF 2780 LED

For Area Lighting on Vessels

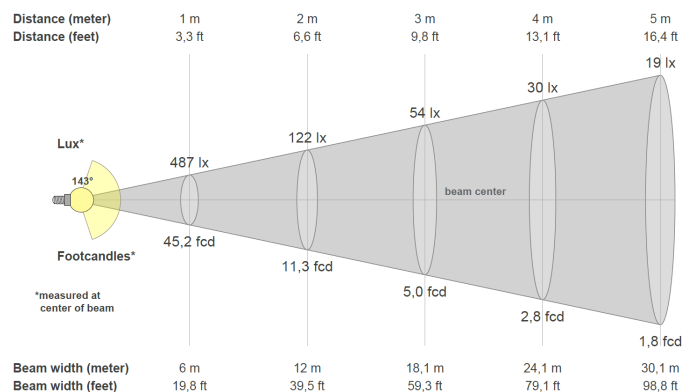
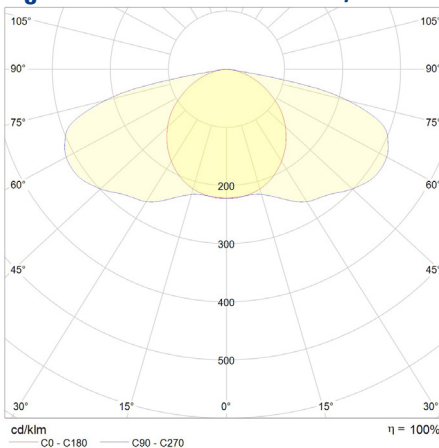
Light distribution 25W: 4000K, medium beam



Light distribution 25W: 4000K, wide beam



Light distribution 25W: 4000K, ultrawide beam



R. STAHL TRANBERG AS

Main office | Strandsvingen 6 | N-4032 Stavanger, Norway | T +47 51 57 89 00 | E info.no-st@r-stahl.com | stahl-tranberg.com

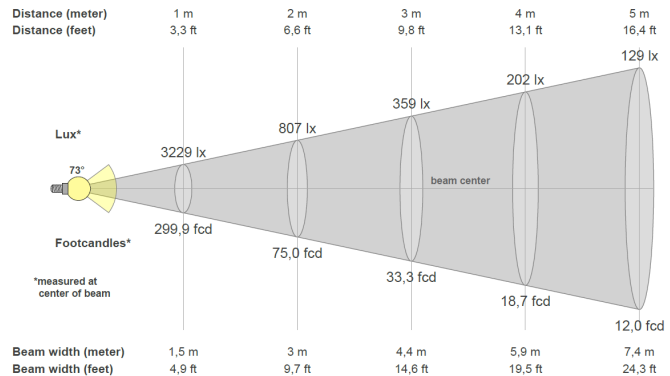
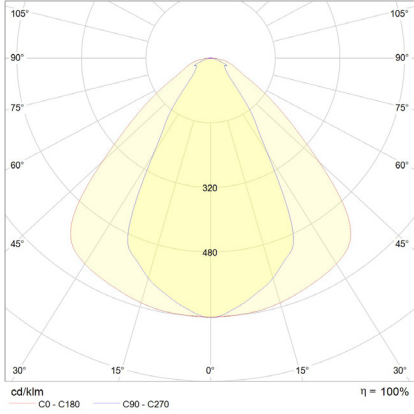
Oslo office | Luhrtoppen 2 | N-1470 Lørenskog, Norway | T +47 24 08 44 10 | E info.no-os@r-stahl.com | stahl-tranberg.com

TRANBERG® BlueLine Deck Light

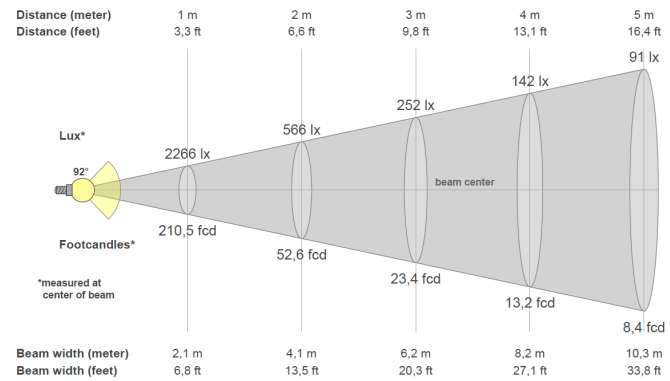
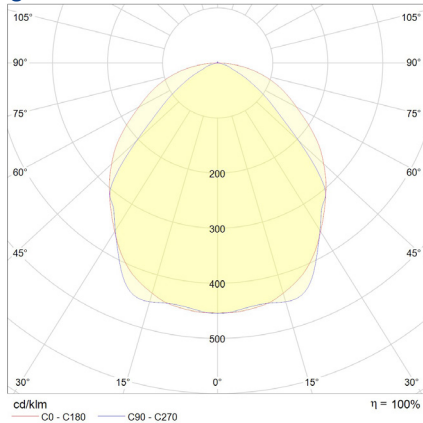
TEF 2780 LED

For Area Lighting on Vessels

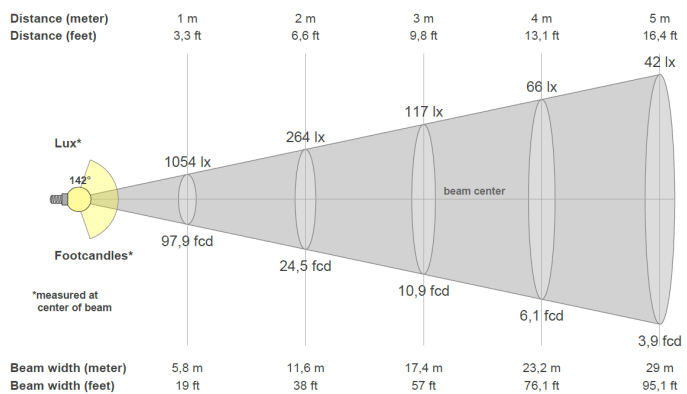
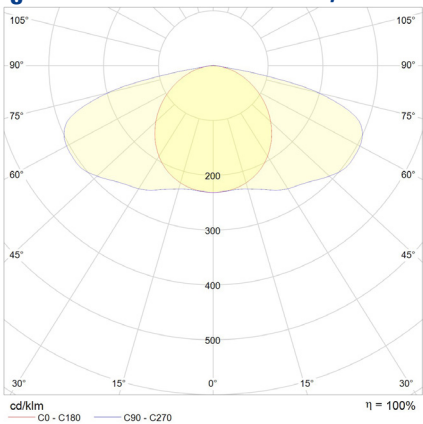
Light distribution 50W: 4000K, medium beam



Light distribution 50W: 4000K, wide beam



Light distribution 50W: 4000K, ultrawide beam



R. STAHL TRANBERG AS

Main office | Strandsvingen 6 | N-4032 Stavanger, Norway | T +47 51 57 89 00 | E info.no-st@r-stahl.com | stahl-tranberg.com

Oslo office | Luhrtoppen 2 | N-1470 Lørenskog, Norway | T +47 24 08 44 10 | E info.no-os@r-stahl.com | stahl-tranberg.com

TRANBERG® BlueLine Deck Light

TEF 2780 LED

For Area Lighting on Vessels

Description	Part No.	Part No.
	Standard version	DALI version
TRANBERG® BlueLine Decklight LED 25W, 100-240V, 2200K (Yellow Amber), Medium Beam	278012220	278052220
TRANBERG® BlueLine Decklight LED 25W, 100-240V, 2200K (Yellow Amber), Wide Beam	278012230	278052230
TRANBERG® BlueLine Decklight LED 25W, 100-240V, 2200K (Yellow Amber), Ultrawide Beam	278012240	278052240
TRANBERG® BlueLine Decklight LED 25W, 100-240V, 3000K (White), Medium Beam	278012320	278052320
TRANBERG® BlueLine Decklight LED 25W, 100-240V, 3000K (White), Wide Beam	278012330	278052330
TRANBERG® BlueLine Decklight LED 25W, 100-240V, 3000K (White), Ultrawide Beam	278012340	278052340
TRANBERG® BlueLine Decklight LED 25W, 100-240V, 4000K (White), Medium Beam	278012420	278052420
TRANBERG® BlueLine Decklight LED 25W, 100-240V, 4000K (White), Wide Beam	278012430	278052430
TRANBERG® BlueLine Decklight LED 25W, 100-240V, 4000K (White), Ultrawide Beam	278012440	278052440
TRANBERG® BlueLine Decklight LED 25W, 100-240V, Blue light, Medium Beam	278012620	278052620
TRANBERG® BlueLine Decklight LED 25W, 100-240V, Blue light, Wide Beam	278012630	278052630
TRANBERG® BlueLine Decklight LED 25W, 100-240V, Red light, Medium Beam	278012720	278052720
TRANBERG® BlueLine Decklight LED 25W, 100-240V, Red light, Wide Beam	278012730	278052730
<hr/>		
TRANBERG® BlueLine Decklight LED 50W, 100-240V, 2200K (Yellow Amber), Medium Beam	278022220	278062220
TRANBERG® BlueLine Decklight LED 50W, 100-240V, 2200K (Yellow Amber), Wide Beam	278022230	278062230
TRANBERG® BlueLine Decklight LED 50W, 100-240V, 2200K (Yellow Amber), Ultrawide Beam	278022240	278062240
TRANBERG® BlueLine Decklight LED 50W, 100-240V, 3000K (White), Medium Beam	278022320	278062320
TRANBERG® BlueLine Decklight LED 50W, 100-240V, 3000K (White), Wide Beam	278022330	278062330
TRANBERG® BlueLine Decklight LED 50W, 100-240V, 3000K (White), Ultrawide Beam	278022340	278062340
TRANBERG® BlueLine Decklight LED 50W, 100-240V, 4000K (White), Medium Beam	278022420	278062420
TRANBERG® BlueLine Decklight LED 50W, 100-240V, 4000K (White), Wide Beam	278022430	278062430
TRANBERG® BlueLine Decklight LED 50W, 100-240V, 4000K (White), Ultrawide Beam	278022440	278062440



R. STAHL TRANBERG AS

Main office | Strandsvingen 6 | N-4032 Stavanger, Norway | T +47 51 57 89 00 | E info.no-st@r-stahl.com | stahl-tranberg.com

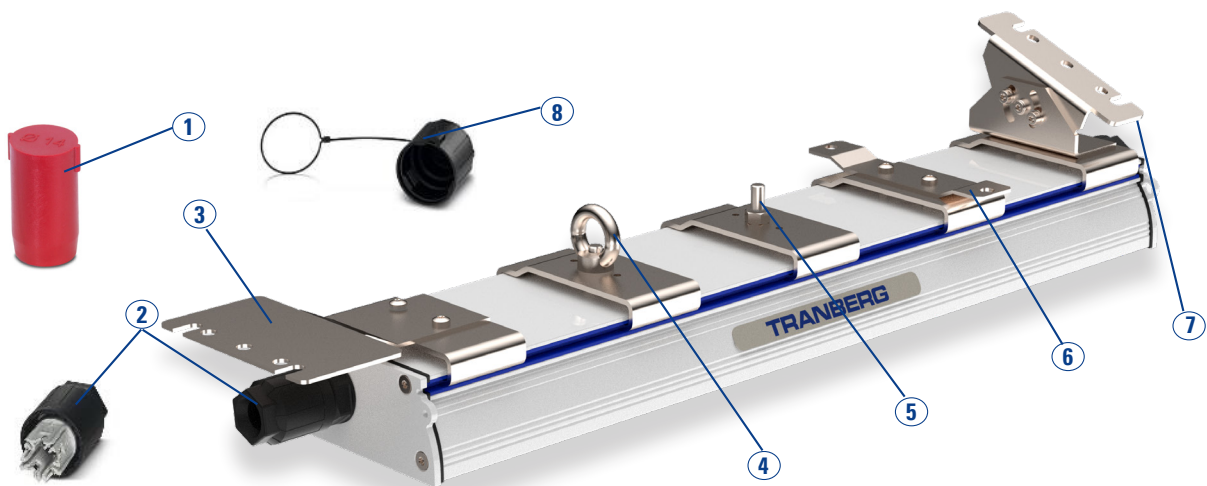
Oslo office | Luhrtoppen 2 | N-1470 Lørenskog, Norway | T +47 24 08 44 10 | E info.no-os@r-stahl.com | stahl-tranberg.com

TRANBERG® BlueLine Deck Light

TEF 2780 LED

For Area Lighting on Vessels

No.	Description Options and Spare Parts	Part No.
1	Sealing plug (delivered with the lamp)	50500231
2	Cable termination nut Ø9-16mm	50091435
3	Option mounting bracket kit, end bracket	7329
4	Option mounting bracket kit, eye nut bracket	7330
5	Option mounting bracket kit, threaded pin bracket	7331
6	Standard mounting bracket kit, cranked bracket (delivered as standard with the lamp)	7327
7	Option mounting bracket kit, adjustable swing bracket	7334
8	Protective cap for unused cable entries IP68 (option, must be ordered separately)	50500226



R. STAHL TRANBERG AS

Main office | Strandsvingen 6 | N-4032 Stavanger, Norway | T +47 51 57 89 00 | E info.no-st@r-stahl.com | stahl-tranberg.com

Oslo office | Luhrtoppen 2 | N-1470 Lørenskog, Norway | T +47 24 08 44 10 | E info.no-os@r-stahl.com | stahl-tranberg.com

TRANBERG® BlueLine Deck Light

TEF 2780 LED

For Area Lighting on Vessels

Dimensions

