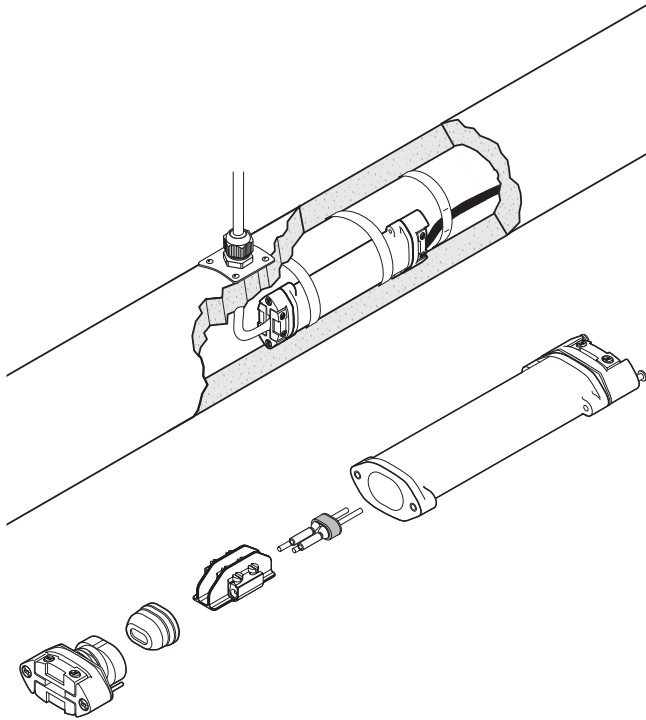


### COLD APPLIED LOW PROFILE POWER CONNECTION



The nVent RAYCHEM C-150-E is a cold applied low profile power connection. The kit enables in line connection of nVent RAYCHEM industrial heating cables, BTV, QTVR, XTV and KTV, to a flexible power cable. It can be used in applications with temperature ratings from  $-50^{\circ}\text{C}$  to  $215^{\circ}\text{C}$ . It is approved for use in hazardous areas.

A nVent RAYCHEM supplied power cable such as C-150-PC may be used or any suitable standard industrial power cable type  $3 \times 1.5 \text{ mm}^2$  or  $3 \times 2.5 \text{ mm}^2$  with stranded copper conductors and an outer insulation jacket. The power cable is connected by means of screw terminals to the conductors and the braid of the heating cable.

C-150-E is used as connector:

- where connection to a junction box is difficult e.g. because of space limitation
- on instrument lines or loading arms
- where installation of "under insulation" components is preferred
- as a cost effective solution for short heat-tracing lines as an alternative for JBS-100.

#### DESCRIPTION

Cold applied low profile splice for connection of BTV, QTVR, XTV and KTV heating cables to a power cable

#### KIT CONTENTS

- 1 splice housing assembly including
  - 1 sealing grommet assembly for heater
  - 1 pressure plate/strain relief assembly
- 1 core sealer for heater
- 1 spacer including screw terminal
- 1 sealing grommet assembly for the power cable
- 1 pressure plate/strain relief assembly for the power cable
- 1 identification label
- 1 installation instruction

## APPROVALS

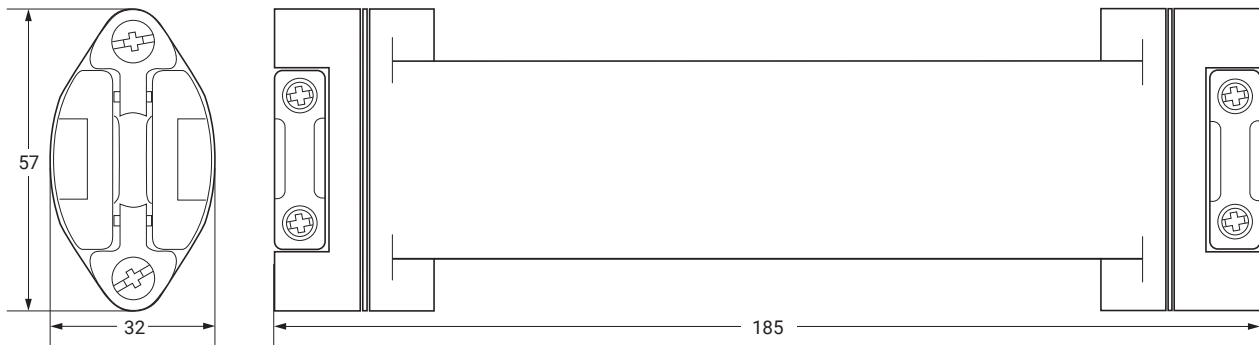
PTB 09 ATEX 1068 U  
 Ex II 2G Ex e II  
 Ex II 2D Ex tD A21 IP66  
 IECEx

PTB 09.0043U  
 Ex e II  
 Ex tD A21 IP66  
 DNV approval  
 DNV Certificate No. E-11564 and E-11565



RU C-BE.IM43.B.01712  
 Ex e IIC Gb U Ex tb IIIC Db U  
 Ta -55°C...+180°C IP66

## DIMENSIONS (IN MM)



## PRODUCT SPECIFICATIONS

Heating cable capability	BTV-CR, BTV-CT, QTVR-CT, XTV-CT, KTV-CT	
Power cable capability	For use with nVent RAYCHEM's high temperature power cable C-150-PC or for use with other flexible cable such as: H07RN-F, Silicone insulated cables. Minimum and maximum installation and operating temperatures, given by cable manufacturer, have to be considered by designer and installer.	
Power cable dimension	-> outer diameter range 7.8 mm - 12.5 mm -> 3 stranded copper conductors (3 x 2.5 mm <sup>2</sup> or 3 x 1.5 mm <sup>2</sup> ) -> temperature range depending on the application	
Maximum power cable length	Depending on power cable voltage drop and maximum current for nVent RAYCHEM power cable C-150-PC (3 x 2.5 mm <sup>2</sup> ):	
	CB 16 A	40 m
	CB 20 A	32 m
	CB 25 A	25 m
Ingress protection	IP66	
Minimum installation temperature	-50°C	
Maximum pipe temperature	refer to heating cable specification	
Maximum operating voltage	277 Vac	
Maximum current rating	depending on the power cable used and maximum current	

## CONSTRUCTION MATERIALS

Housing, end plate, shim and spacer	Engineering polymers, black
Sealing grommets	Silicone rubber
Screws, compression spring	Stainless steel

## ORDERING DETAILS

Part description	C-150-E
PN (Weight)	073704-000 (0.4 kg/0.8 lb)
Pack size	1 bag

## ACCESSORIES

Power cable	C-150-PC 3-core flexible power cable for connection to C-150-E, 3 x 2.5 mm <sup>2</sup> , silicone insulation, temperature range: -40°C to +180°C, short term: 215°C
-------------	---

**North America**

Tel +1.800.545.6258  
Fax +1.800.527.5703  
thermal.info@nvent.com

**Europe, Middle East, Africa**

Tel +32.16.213.511  
Fax +32.16.213.604  
thermal.info@nvent.com

**Asia Pacific**

Tel +86.21.2412.1688  
Fax +86.21.5426.3167  
cn.thermal.info@nvent.com

**Latin America**

Tel +1.713.868.4800  
Fax +1.713.868.2333  
thermal.info@nvent.com



[nVent.com](http://nVent.com)

Our powerful portfolio of brands:

**CADDY ERICO HOFFMAN RAYCHEM SCHROFF TRACER**