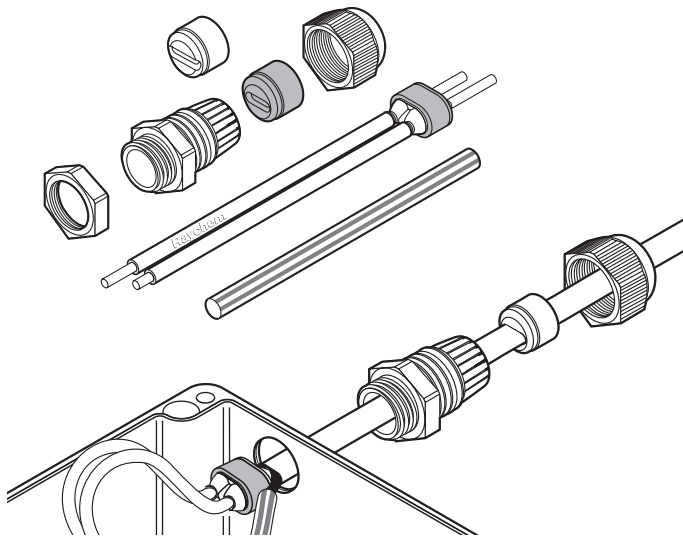


## COLD APPLIED CONNECTION KIT



This connection kit is designed for terminating all nVent RAYCHEM BTV, QTVR, XTV, KTV and VPL industrial parallel heating cables to a junction box, whilst maintaining electrical insulation of the heating cable conductors and core. It is approved for use in hazardous areas.

The core sealing boot does not require a heat gun or torch for the installation (no hot work permit necessary). The non-curing sealant (silicone free) allows easy installation and facilitates maintenance purposes.

Two grommets supplied in this kit enable the gland to maintain optimum sealing under various ambient conditions. An additional locknut is provided for unthreaded entries.

### APPLICATION



Connection kit for BTV, QTVR, XTV, KTV and VPL parallel heating cables.

### KIT CONTENTS

1 gland, 2 grommets, 1 locknut, 1 core sealer, 1 green/yellow tube,  
1 installation instruction (multilingual)


### APPROVALS

PTB 09 ATEX 1063U

 II 2G Ex e II  
 II 2D Ex tD A21 IP66

IECEX PTB 09.0040U

Ex e II  
Ex tD A21 IP66  
DNV-GL TAE00000TV  
DNV-GL TAE00000TU

 TC RU C-BE.MI062.B.02853  
1Ex e IIC

## PRODUCT SPECIFICATION

---

Area classification	Hazardous, Zone 1, Zone 2 (Gas), Zone 21, Zone 22 (Dust) Ordinary
Type	Cold applied
Thread size	M25 x 1.5
Min. ambient temperature	-50°C
Max. exposure temperature (gland)	110°C

## ORDERING DETAILS

---

Part description	nVent RAYCHEM C25-100
PN (Weight)	263012-000 (0.07 kg)

### Europe, Middle East, Africa

Tel +32.16.213.511  
Fax +32.16.213.604  
thermal.info@nvent.com

### United Kingdom

Tel 0800 969 013  
Fax 0800 968 624  
salesthermaluk@nvent.com

### Ireland

Tel 1800 654 241  
Fax 1800 654 240  
salesie@nvent.com



[nVent.com](https://www.nvent.com)

Our powerful portfolio of brands:

**CADDY ERICO HOFFMAN RAYCHEM SCHROFF TRACER**