

PATRIOT (SDSS)

The Patriot cable cleats are metallic cable cleats which have been designed, constructed, and tested in accordance with the International Standard 'cable cleats for Electrical Installations' IEC 61914 to ensure the securing and retention of cables, without sustaining damage to the cable.

The range is fabricated from 316L stainless steel, giving it high creep strength whilst providing excellent corrosion resistance in the harshest of environments. The Patriot cable cleats are available for trefoil application / formation for diameters of 17mm to 128mm in 24 sizes.

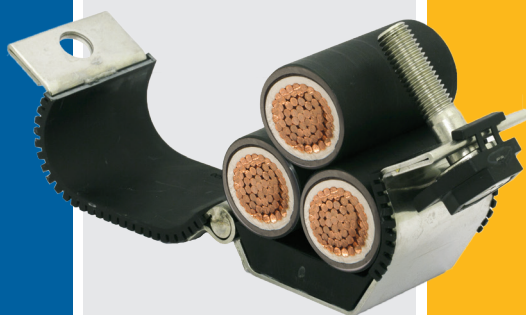
The cleat has three M10 fixing clearance holes within one base allowing versatility to the installer during installation, and is designed to enable the product to be secured to a variety of mounting surfaces. The hinge opens fully allowing the cables to be easily placed within the cable cleat to aid the installer before closing and securing via the mouth piece bolt.

Liners come as standard which help to restrain the cable(s) within vertical applications. Where thermal elongation of cables occurs, the liner also provides a layer of protection between the cable sheath and the cable cleat during normal operation. This additional layer protects the cable from chafing on any mounting surface due to differential movements such as those found in marine and offshore applications. The liners also assist in the extra protection of cable(s) in the event of short circuit fault conditions. The standard liners supplied are classified as Low Smoke & Fume (LSF), Zero Halogen (LSOH) and Phosphorus Free.



FEATURES

- Third party certification to IEC 61914
- 316L stainless steel
- 17 - 128mm in 24 sizes for trefoil formation / application
- Short circuit rating of 135kA peak fault
- Operating temperature -50°C to +60°C
- Liners are classified as Low Smoke & Fume (LSF), Zero Halogen (LSOH) and Phosphorus Free
- Combined single (M10) or two bolt (M10) fixing design



TECHNICAL DATA & CLASSIFICATION

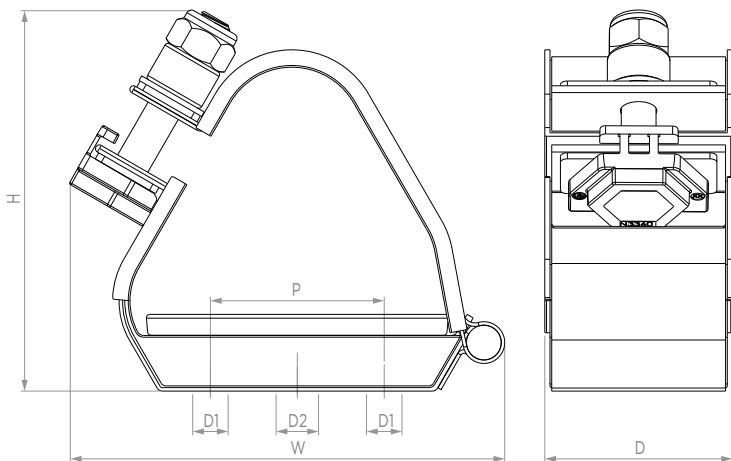
TYPE	6.1.3 Composite SDSS - Standard Duty Stainless Steel
DESIGN SPECIFICATION	IEC 61914
TEMPERATURE FOR PERMANENT APPLICATION	-50°C to +60°C IEC 61914 clause 6.2
NEEDLE FLAME TEST	Pass - 120 second flame application time IEC 61914 clause 10.0, 10.1, IEC 60695-11-5
LATERAL LOAD TEST	Refer to CMP Products, IEC 61914 clause 9.3
AXIAL LOAD TEST	0.6kN, IEC 61914 clause 9.4
IMPACT RESISTANCE	Pass - Very heavy IEC 61914 clause 6.3, 6.3.5, 9.2
MATERIAL	316L Stainless Steel with Standard Liner Standard liners are classified as Low Smoke & Fume (LSF), Zero Halogen (LSOH) and Phosphorus Free

SHORT CIRCUIT TESTING TO IEC 61914 - CLAUSE 9.5

TREFOIL FORMATION			
One short circuit 300mm fixed cleat centres	Two short circuits 300mm fixed cleat centres	Two short circuits 600mm fixed cleat centres	Two short circuits 600mm fixed cleat centres
0.1sec	1sec	0.1sec	1sec
135kA Peak	80kA Peak	108kA Peak	75kA Peak
58.8kA r.m.s	38.3kA r.m.s	49.1kA r.m.s	35.7kA r.m.s

300MM PATRIOT SDSS (0.1 SEC)

CABLE OD (MM)	PEAK kA
36	135.0
38	138.7
43	147.5
59	172.8
65	181.4



CABLE CLEAT SELECTION TABLE

PATRIOT PART NO.	CABLE Ø RANGE TAKE (MM)	DIMENSIONS (MM)						
		W	H	D	P	FIXING HOLE Ø		WEIGHT (g)
						D1	D2	
SDSS017021	17-21	95	84	54	25	2 x M10	1 x M10	305
SDSS019024	19-24	97	87	54	25	2 x M10	1 x M10	312
SDSS023028	23-28	99	92	54	25	2 x M10	1 x M10	318
SDSS027032	27-32	102	97	54	25	2 x M10	1 x M10	324
SDSS030035	30-35	104	101	54	25	2 x M10	1 x M10	329
SDSS033038	33-38	106	104	54	25	2 x M10	1 x M10	336
SDSS036042	36-42	125	109	54	50	2 x M10	1 x M10	395
SDSS040046	40-46	128	114	54	50	2 x M10	1 x M10	403
SDSS044050	44-50	132	116	54	50	2 x M10	1 x M10	409
SDSS048055	48-55	136	123	54	50	2 x M10	1 x M10	420
SDSS051058	51-58	138	129	54	50	2 x M10	1 x M10	426
SDSS055062	55-62	158	136	54	75	2 x M10	1 x M10	482
SDSS059066	59-66	158	144	54	75	2 x M10	1 x M10	489
SDSS063070	63-70	159	151	54	75	2 x M10	1 x M10	496
SDSS067074	67-74	165	159	54	75	2 x M10	1 x M10	504
SDSS071078	71-78	172	166	54	75	2 x M10	1 x M10	513
SDSS074082	74-82	188	174	54	75	2 x M10	1 x M10	588
SDSS077085	77-85	189	179	54	75	2 x M10	1 x M10	593
SDSS082088	82-88	190	185	54	75	2 x M10	1 x M10	598
SDSS088096	88-96	202	200	54	75	2 x M10	1 x M10	614
SDSS096103	96-103	215	213	54	75	2 x M10	1 x M10	628
SDSS103111	103-111	234	228	54	75	2 x M10	1 x M10	710
SDSS111119	111-119	248	243	54	75	2 x M10	1 x M10	726
SDSS119128	119-128	265	259	54	75	2 x M10	1 x M10	744

Coatings are available upon request by adding the following suffixes to the ordering reference - EC for epoxy coating, PC for polyester coating and TC for thermoplastic coating. Example order reference for epoxy coating suffix EC (SDSS030035EC). Fasteners required to secure the cable cleat to the support structure are not included but can be supplied upon request - see cleat fixing pack page 64-65. Isolation/separation pads (to prevent corrosion between two dissimilar metals) are not included but can be supplied on request - see isolation/separation pad page 66.