

TRANBERG® SEARCHLIGHT

TEF 2650 LED51 400W Commander

Safe Area



R. STAHL TRANBERG searchlights are all designed for rough environments.

It is the policy of R. STAHL TRANBERG to provide products and services that meet the highest standards of quality in the industry.

Our aim is to fulfill the expectations of our customers. This requires that all products perform reliably, efficiently and in a manner that assures persisting market competitiveness.

In this datasheet we present the TEF 2650 LED51 400W searchlight which will replace the TEF 2650 halogen 2000W Searchlight.

Application

- The TEF 2650 LED Searchlight can with advantage be used on fishing boats, rescue vessels, tugboats, supply ships, cargo and tank vessels.

Features and benefits

- Applicable to sub-zero temperatures of -40°C.
- Electromagnetic compability (EMC).
- Self-regulating heating in motorhouse.
- May be operated from 1-16 control panels.
- Environmentally and economically friendly upgrade of existing light to modern LED.
- Fullfills the FiFi requirement (size 51 version).

Options

- Anti-condensation heater in drum
- Spread filter
- Pedestal
- Slave panel
- Canvas cover



Technical Data

Control panel:	TEF 2613
Material:	Aluminium backplate and brackets on LED unit. Stainless steel lamp and motor housing.
Finish:	All white surface powder coated (RAL 9010) to 70-80uM.
Input voltage:	230 V AC (202-254V AC)
Line input current max.:	1,5 A
Standard cable gland:	2 pcs. E204/622 M20/C2/9mm (Ø6,0-10,0mm) Brass, 1 pc. E204/622 M32/E1/9mm (Ø20,0-26,5mm) Brass
Ingress protection:	IP56 (EN 60529)
Operating temperature:	-40°C up to +50°C
Weight:	73 kg
Weight pedestal:	14,5 kg
Compass safe distance:	
Standard compass:	130 cm
Other compass:	180 cm

TRANBERG STAHL

THE STRONGEST LINK.

R. STAHL TRANBERG AS

Main office | Strandsvingen 6 | N-4032 Stavanger, Norway | T +47 51 57 89 00 | E info.no-st@r-stahl.com | stahl-tranberg.com
Oslo office | Lührtoppen 2 | N-1470 Lørenskog, Norway | T +47 24 08 44 10 | E info.no-os@r-stahl.com | stahl-tranberg.com

TRANBERG® SEARCHLIGHT

TEF 2650 LED51 400W Commander

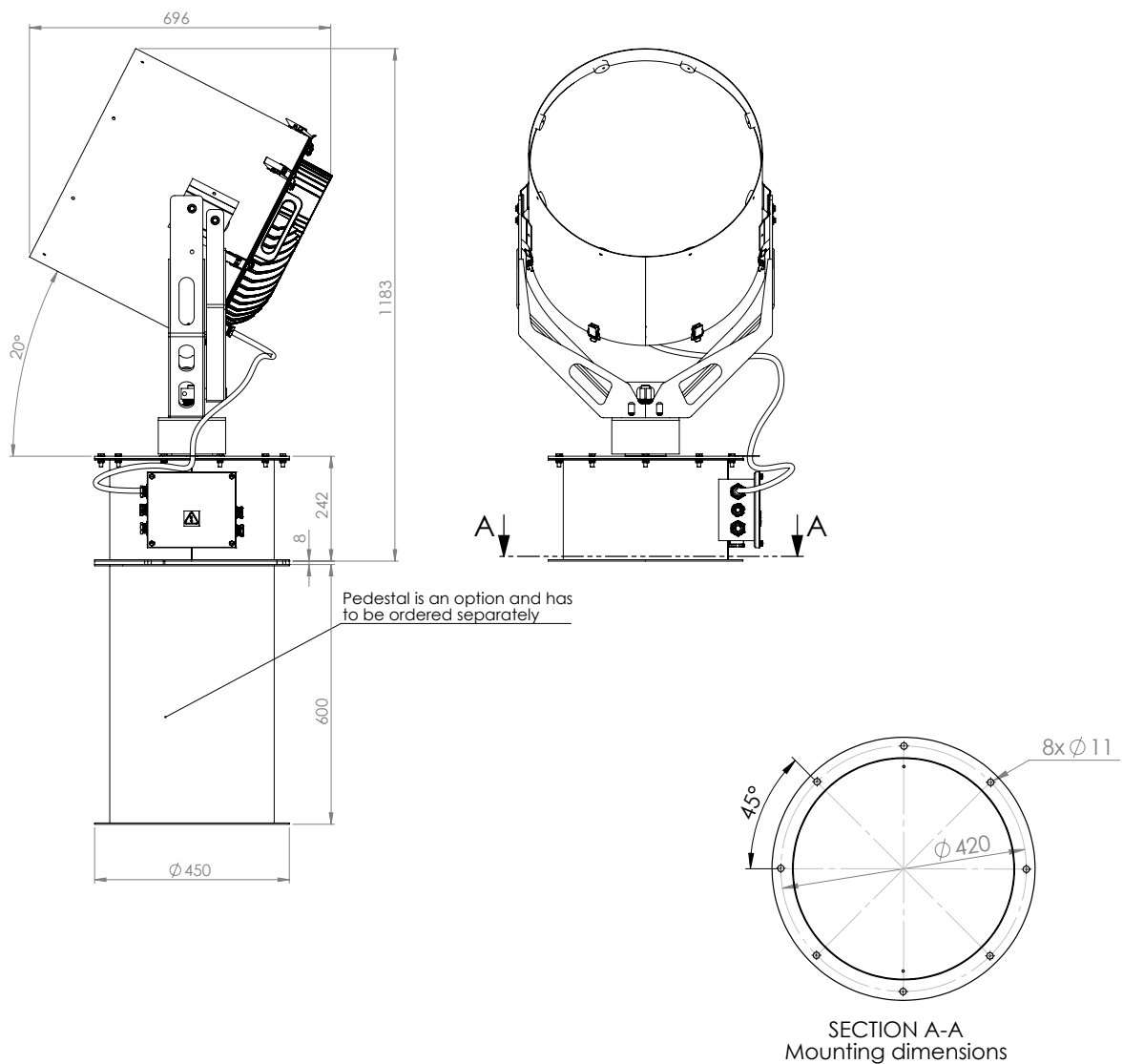
Safe Area

Optical

No. of LED	Volt	Total lumen output	Peak Candela	Divergence	Pan°	Tilt°	Illuminance @250m	Beam Illuminance for 1 lux	Part no.
84	*230	30000 lm	4,75 Mcd	4,3° FWHM	370	+20 -30	Average 56 lux@Ø11m	Approx. 2000m	2650435460

Optical Performance: All data shown above is measured and simulated, *other voltage on request.

Dimensions



R. STAHL TRANBERG AS

Main office | Strandsvingen 6 | N-4032 Stavanger, Norway | T +47 51 57 89 00 | E info.no-st@r-stahl.com | stahl-tranberg.com

Oslo office | Luhrtoppen 2 | N-1470 Lørenskog, Norway | T +47 24 08 44 10 | E info.no-os@r-stahl.com | stahl-tranberg.com