

TRANBERG® SEARCHLIGHTS

TEF 2630 Searchlight Commander Xenon 1600W Bridge Operated

Safe Area



Tranberg's searchlights are all designed for rough environments.

It is the policy of Tranberg to provide products and services that meet the highest standards of quality in the industry and the performance needs and expectations of our customers.

Achievement of this objective requires that all products perform reliably and efficiently and in a manner that assures continuing market competitiveness.

Application

- The Xenon searchlight is suitable for all type of vessels.
- Dimensions and lamp power depends on type of ship and area of application.

Features and benefits

- Applicable to sub-zero temperatures of -50°C (-58°F)
- Anti-condensation heater in drum.
- Xenon "Ice Searchlight" can through a unique color distribution rapidly detect ice and illuminate surface objects.
- It's unique long beam range makes it in many areas of application a better choice than halogen.
- Remote control narrow or wide beam.

Options

- Spread filter
- Pedestal
- Canvas cover



Technical Data

Control panel:	See TEF 2610
Power supply:	1600W: HBX
Material barrel:	Stainless steel
Material back plate:	Stainless steel
Material mounting:	Crutch - Stainless steel
Material base:	Stainless steel
Material lens:	Toughened soda-lime glass
Material mirror:	Silver plated glass reflector
Finish:	All white surface powder coated (RAL 9010 to 70-80uM.
Ingress protection:	IP56 (DIN40050)
Weight searchlight:	36 kg.
Weight pedestal:	4,8 kg / 10,2 kg.
Weight manoeuvre bar:	Short: 1,7 kg. Long: 3,4 kg.

TRANBERG STAHL

THE STRONGEST LINK.

R. STAHL TRANBERG AS

Main office | Strandsvingen 6 | N-4032 Stavanger, Norway | T +47 51 57 89 00 | E info.no-st@r-stahl.com | stahl-tranberg.com
Oslo office | Luhrtoppen 2 | N-1470 Lørenskog, Norway | T +47 24 08 44 10 | E info.no-os@r-stahl.com | stahl-tranberg.com

TRANBERG® SEARCHLIGHT

TEF 2630 Searchlight Commander Xenon 1600W Bridge Operated

Safe Area

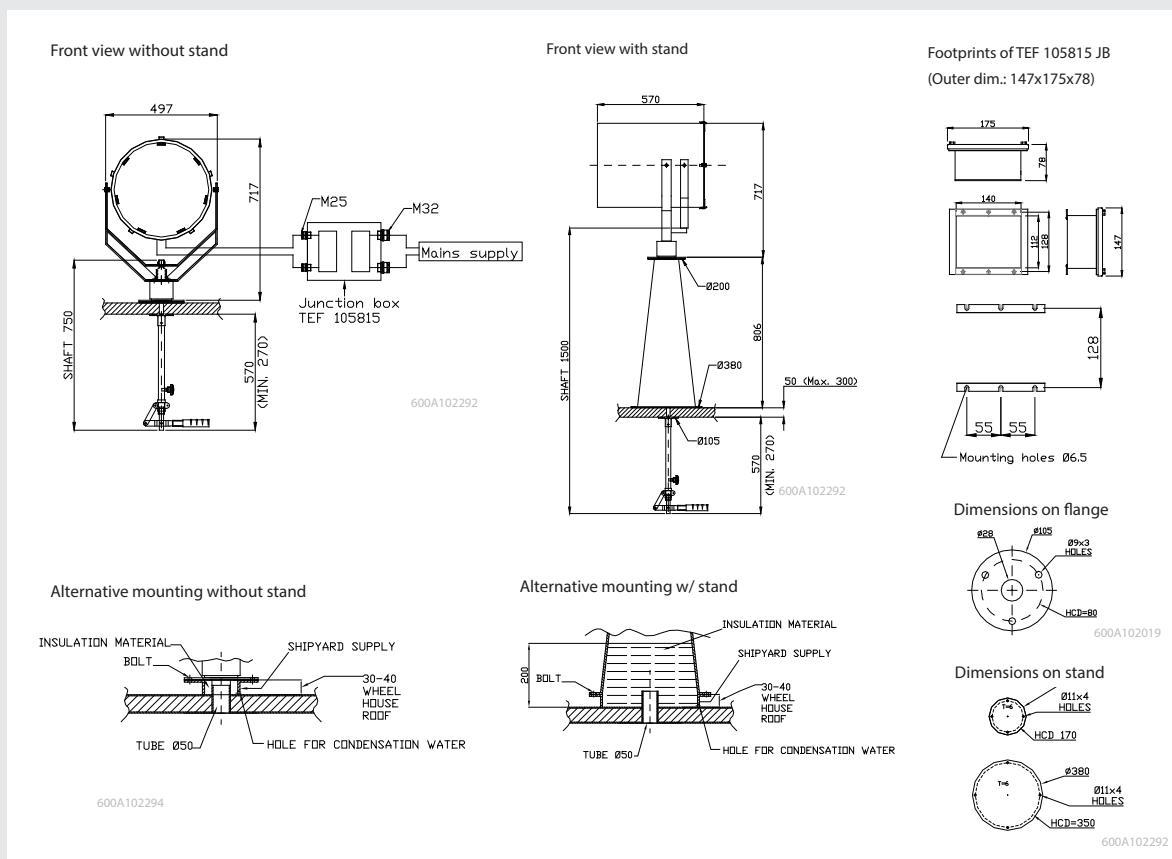
Description								Part No.	
Mirror Size	Watt	Volt	Peak Beam Candela Power	Range M 1 lux at target	Divergence	Pan°	Pedestal	Tilt°	2630324450
355mm (14")	1600	*230	52 x 10 ⁶	7400	3°	370	800mm	+15 -35	
Xenon									

Optical Performance: All data shown above is theoretical and calculated to IES Formulae

*Other voltage on request

Power Supply				Part No.	
	Length	Width	Height	Weight	
HBX Xenon 1600W	400 mm	210 mm	500 mm	Approx. 18,5 kg	5220

Dimensions



R. STAHL TRANBERG AS

Main office | Strandsvingen 6 | N-4032 Stavanger, Norway | T +47 51 57 89 00 | E info.no-st@r-stahl.com | stahl-tranberg.com

Oslo office | Lührtoppen 2 | N-1470 Lørenskog, Norway | T +47 24 08 44 10 | E info.no-os@r-stahl.com | stahl-tranberg.com