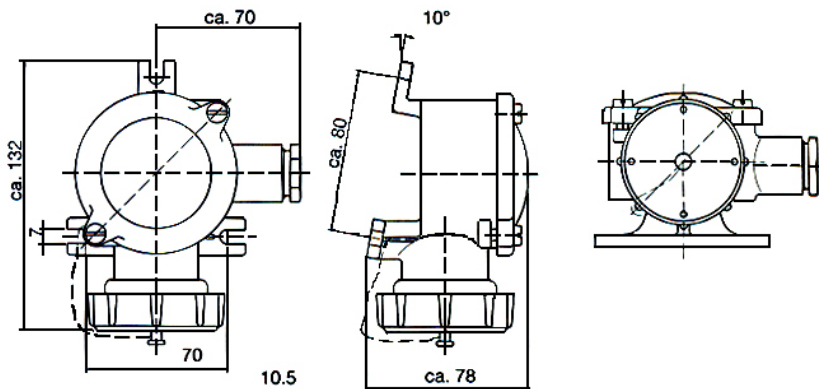


Subject to change without prior notice TUM1058 REV. A 17.07.2017



IMPORTANT

Read this instruction carefully before installing the product



INTRODUCTION

Thank you for purchasing this product!
For installation, maintenance and assurance of a long life of this product, please follow this manual.

TOOLS REQUIRED

Regular tools required for installation:

- 10 mm wrench –for assembling the socket
- 6,5mm flat screwdriver - for cover of junction box. Earth screw and terminal box.
- 24 mm wrench –for tightening pressure nut.

APPLICATIONS

Power outlet for marine use.

MAINTENANCE INSTRUCTIONS

The socket should be inspected according to Company routines. The manufacturer suggests regular check for water intrusion/condensation which should be removed immediately.

NOTE:

Replace the cap when not in use.

CONTENT IN BOX

The product is fully assembled, and ready for installation.

APPROVALS

NA

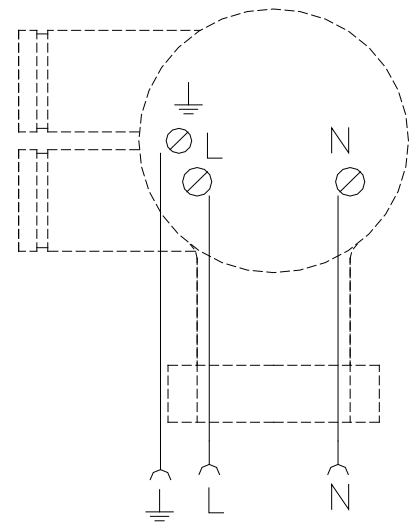
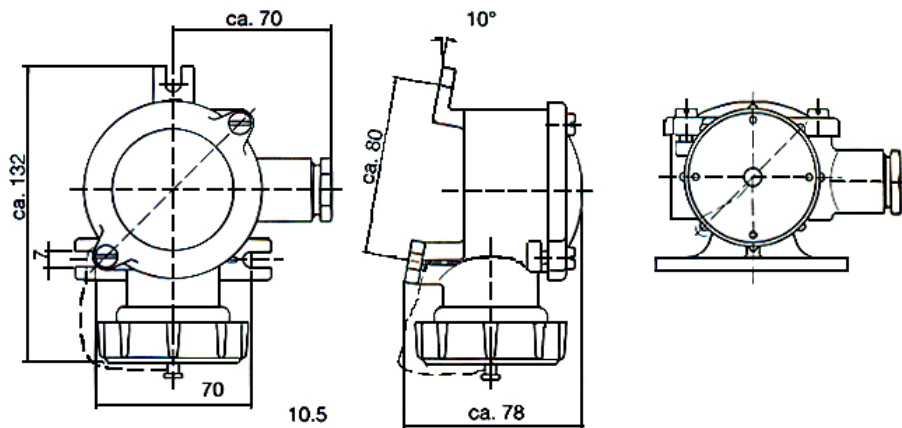
SAFETY PRECAUTIONS

Note that changes made to the product and/or installation of components which do not conform to the approval, may be a safety violation. The manufacturer will in no circumstance be held responsible for such activity.

For your health and safety, always use safety gear suited for the task. Be certain to follow codes, regulations and/or specific procedures that are related to the installation.

INSTALLATION INSTRUCTIONS

Be sure to install the cable in a way which prevents water to penetrate into the enclosure through the cable



Max. cable diam.: 2 x 2,25mm²

SPARE PART

| Description | Part No. |
|---------------------------------------|-----------|
| Blind cover with chain | 1000 004 |
| Insert socket 2p 10A DC / 16A AC 250V | 5082 0002 |
| Cup ring 40,5 x 34,5 x 0,5mm | 5001 0011 |
| Ring nut, for insert R1 3/8" | 5082 0003 |
| Rubber ring, conical | 5082 0004 |
| terminal block, 2p, 2,5 qmm, 25V | |
| Cover for socket, 1531 | 1000 005 |
| Gasket (o-ring) for cover | 5087 0011 |

TECHNICAL DATA

| | |
|----------------|----------|
| Hight: | 75mm |
| Width: | 115mm |
| Length: | 135mm |
| Weight: | 1,05 kg. |



TRANBERG

R. Stahl Tranberg AS

E info@stahl-tranberg.com | stahl-tranberg.com

Main office: Strandsvingen 6 | N-4032 Stavanger | Norway | T +47 51 57 89 00 | F +47 51 57 89 50

Office Oslo: Luhrtoppen 2 | N-1470 Lørenskog | Norway | T +47 24 08 44 10