



INSTALLATION

TEF 1536 SOCKET WITH SWITCH

SAFE AREA

USER MANUAL

Subject to change without prior notice TUM1059 REV. B 17.07.2017



IMPORTANT

Read this instruction carefully before installing the product



R. Stahl Tranberg AS

E info@stahl-tranberg.com | stahl-tranberg.com

Main office: Strandsvingen 6 | N-4032 Stavanger | Norway | T +47 51 57 89 00 | F +47 51 57 89 50

Office Oslo: Luhrtoppen 2 | N-1470 Lørenskog | Norway | T +47 24 08 44 10

TEF 1536 SOCKET WITH SWITCH USER MANUAL

INTRODUCTION

Thank you for purchasing this product!
For installation, maintenance and assurance of a long life of this product, please follow this manual.

TOOLS REQUIRED

Regular tools required for installation:

- 10 mm wrench –for assembling the socket
- 6,5mm flat screwdriver - for cover of junction box. Earth screw and terminal box.
- 24 mm wrench –for tightening pressure nut.

APPLICATIONS

Power outlet for marine use.

MAINTENANCE INSTRUCTIONS

The socket should be inspected according to Company routines. The manufacturer suggests regular check for water intrusion/condensation which should be removed immediately.

NOTE:

Replace the cap when not in use.

CONTENT IN BOX

The product is fully assembled, and ready for installation.

APPROVALS

NA

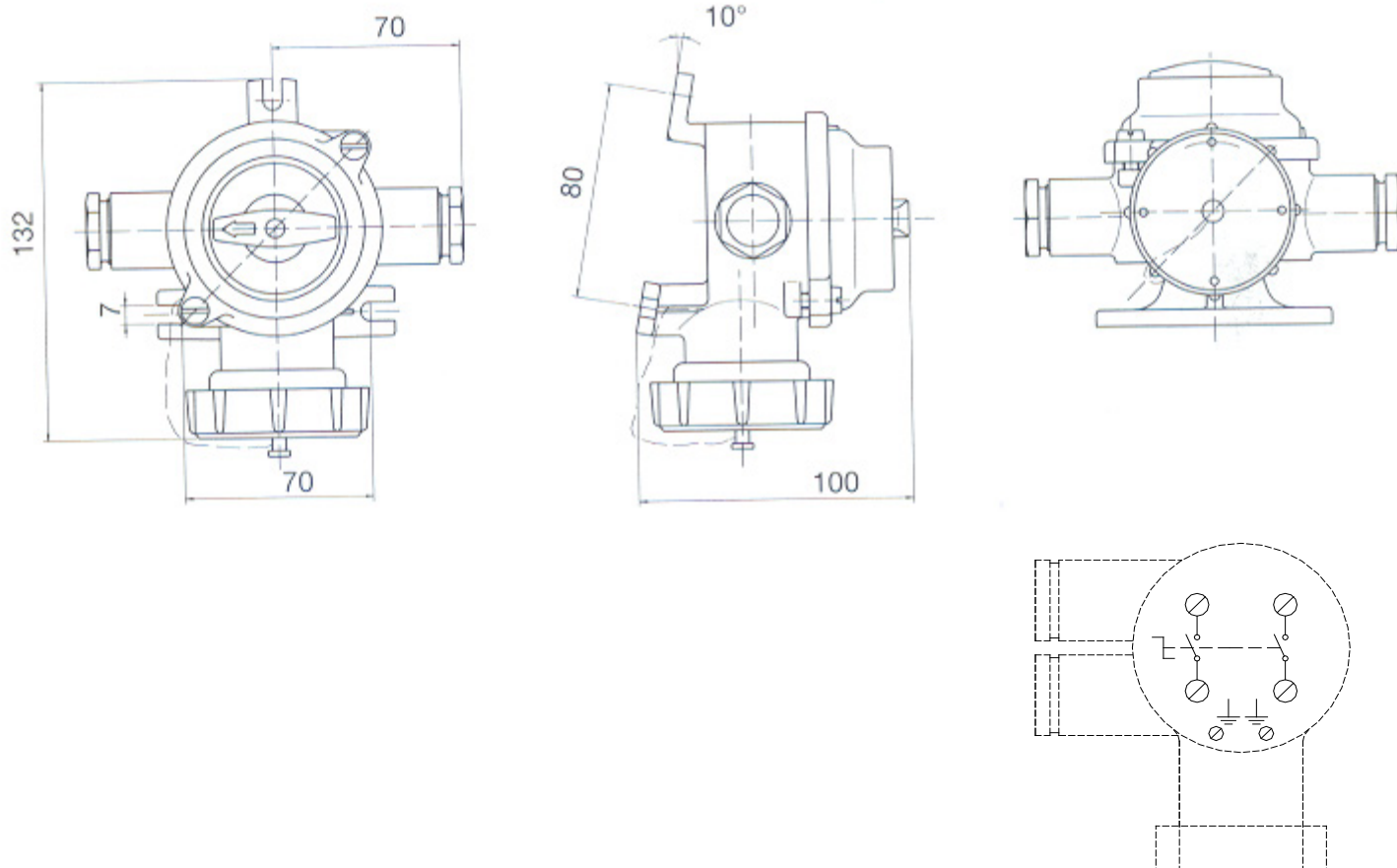
SAFETY PRECAUTIONS

Note that changes made to the product and/or installation of components which do not conform to the approval, may be a safety violation. The manufacturer will in no circumstance be held responsible for such activity.

For your health and safety, always use safety gear suited for the task. Be certain to follow codes, regulations and/or specific procedures that are related to the installation.

INSTALLATION INSTRUCTIONS

Be sure to install the cable in a way which prevents water to penetrate into the enclosure through the cable



SPARE PART

Description	Part No.
Blind cover with chain	1000 004
Insert socket 2p 10A, 250V	5082 0002
Ring nut, for insert R1 3/8"	5082 0003
Rubber ring, conical	5082 0004
Insert socket 2p 16A, 250V	5081 0011
Cover for socket with switch	1350
Gasket (o-ring) for cover	

TEF 1536 SOCKET WITH SWITCH USER MANUAL

TECHNICAL DATA

Hight:	75mm
Width:	115mm
Length:	135mm
Weight:	1,45 kg.



TRANBERG

R. Stahl Tranberg AS

E info@stahl-tranberg.com | stahl-tranberg.com

Main office: Strandsvingen 6 | N-4032 Stavanger | Norway | T +47 51 57 89 00 | F +47 51 57 89 50

Office Oslo: Luhrtoppen 2 | N-1470 Lørenskog | Norway | T +47 24 08 44 10