

*Subject to change without prior notice* TUM1060 REV. A 17.07.2017



1581 000



1581 001

### IMPORTANT

Read this instruction carefully before installing the product

# TEF 1581 PLUGS USER MANUAL

## INTRODUCTION

Thank you for purchasing this product!  
For installation, maintenance and assurance of a long life of this product, please follow this manual.

## TOOLS REQUIRED

Regular tools required for installation:

- 3mm flat screwdriver - for locking the pressure nut and the chord anchorage.
- Terminal tools.

## APPLICATIONS

- Plugs for sockets TEF 1531 and 1536

## MAINTENANCE INSTRUCTIONS

The plugs should be inspected according to Company routines. The manufacturer suggests regular check for water intrusion/condensation which should be removed immediately.

NOTE:

Replace the cap when not in use.

## CONTENT IN BOX

The product is fully assembled, and ready for installation.

## APPROVAL

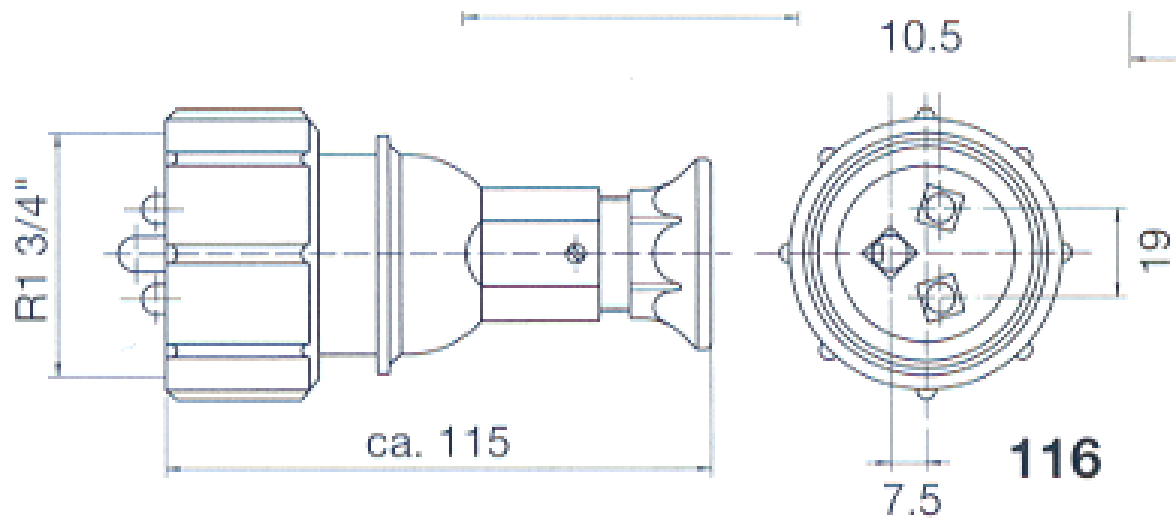
NA

## SAFETY PRECAUTIONS

Note that changes made to the product and/or installation of components which do not conform to the approval, may be a safety violation. The manufacturer will in no circumstance be held responsible for such activity.

For your health and safety, always use safety gear suited for the task. Be certain to follow codes, regulations and/or specific procedures that are related to the installation.

## INSTALLATION INSTRUCTIONS



## SPARE PARTS

Description	Part No.
Conical rubber ring	5082 0004
Ring nut	5082 0003
Input plug f/1581, 2 pole w/earth	5082 0007

# TEF 1581 PLUGS USER MANUAL

## TECHNICAL DATA

<b>Material:</b>	Brass/Plastic
<b>Length:</b>	140mm
<b>Diameter:</b>	Ø65mm
<b>Weight:</b>	Brass - 0,6 kg.



**TRANBERG**

R. Stahl Tranberg AS

E [info@stahl-tranberg.com](mailto:info@stahl-tranberg.com) | [stahl-tranberg.com](http://stahl-tranberg.com)

Main office: Strandsvingen 6 | N-4032 Stavanger | Norway | T +47 51 57 89 00 | F +47 51 57 89 50

Office Oslo: Luhrtoppen 2 | N-1470 Lørenskog | Norway | T +47 24 08 44 10