



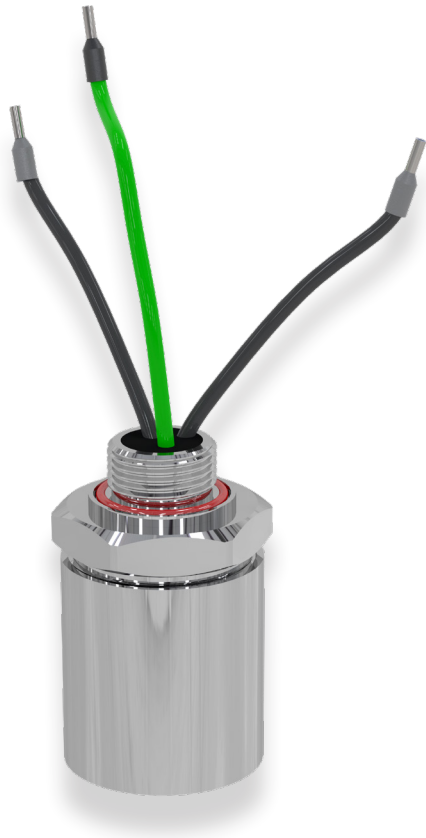
THERMOSTAT

TEF 5023 92XX AMBIENT AIR

ZONE 1, ZONE 2 & SAFE AREA

USER MANUAL

Subject to change without prior notice TUM1069 REV. H 27.04.2023



IMPORTANT

Read this instruction carefully before installing the product



R. Stahl Tranberg AS
E info@stahl-tranberg.com | stahl-tranberg.com
Main office: Strandsvingen 6 | N-4032 Stavanger | Norway | T +47 51 57 89 00 | F +47 51 57 89 50
Office Oslo: Luhrtoppen 2 | N-1470 Lørenskog | Norway | T +47 24 08 44 10

INTRODUCTION

Thank you for purchasing this product!
For installation, maintenance and assurance of a long life of this product, please follow this manual.

MAINTENANCE/REPAIRS/MODIFICATIONS

Before disconnecting the thermostat make sure that the power is disconnected.

If the thermostat failed and is defect, it should be replaced by a new thermostat.

Modification of the thermostat or change of design must not be executed.

CONTENT IN BOX

The product is fully assembled, and ready for installation.

SAFETY PRECAUTIONS


Tranberg Ambient Air Thermostat Type 502392XX is not suitable for use in Zone 0 hazardous areas.

Changes made to the product not confirming to the approvals of this equipment, is a safety violation. The manufacturer is under no circumstances responsible for personal injuries, death or any other damage caused by such activities. Repairs must not be executed on this equipment. If damaged and/or failed, the thermostat must be replaced by a new Tranberg Ambient Air Thermostat Type 502392XX.

APPROVALS

ATEX Approval:

Explosion category:

 II 2 G Ex mb IIC Tx Gb
T6 @ $-50^{\circ}\text{C} \leq t_a \leq +50^{\circ}\text{C}$ Max. 16A
T4 @ $-50^{\circ}\text{C} \leq t_a \leq +70^{\circ}\text{C}$ Max. 10A


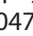
Certificate No.:

PRESAFE 18ATEX12359X
IECEx PRE 18.0029X

For use in:

Zone 1, Zone 2 and Safe Area

Marking:

TEF 5023092xx Max 250VAC 16A.
YY°C -ZZ°C according to the table on page 4
  II 2 G IP66
Ex mb IIC Tx Gb
T6: $-50^{\circ}\text{C} \leq T_a \leq +50^{\circ}\text{C}$ Max. 16A
T4: $-50^{\circ}\text{C} \leq T_a \leq +70^{\circ}\text{C}$ Max. 10A

PRESAFE 18ATEX12359X
IECEx PRE 18.0029X
Serial No.:XXXXXX

Notified body: DNV GL PRESAFE AS, NORWAY

INSTALLATION INSTRUCTIONS

Read the installation manual and the safety instructions before installing this product.

Warning:

Do not disconnect the thermostat without disconnecting power supply. Only qualified personnel are allowed to perform installation and maintenance tasks to this product.

Only qualified personnel are allowed to perform installation and maintenance tasks to this product.

The thermostat is ready for installation when leaving the production facilities of Tranberg AS. Check the condition of the product and the contents when unpacking. Any damage done to the equipment during transportation is not the responsibility of Tranberg AS. If the content has any defects or is not complete, file a claim to the manufacturer immediately.

Mounting:

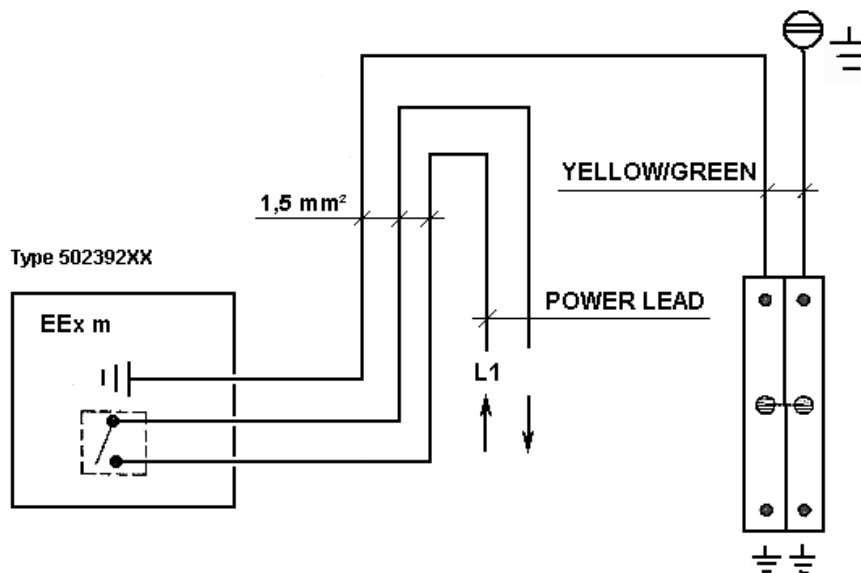
The Tranberg Ambient Air Thermostat Type 502392XX can be mounted in Ex e Classified Enclosures or Enclosures for safe area.

Electrical connection:

The thermostat must be connected to a fuse with the following ratings: Max 16 A, breaking capacity 1500 A, and terminals mounted inside an enclosure. See fig. 1 on next page.

For electrical protection and special conditions related to the electrical connection, see Technical Specification on page 3.

In order to maintain the mode of protection, the conductors must be connected with special care. The insulation must reach up to the terminal and the conductor must not be damaged. All screws and nuts of the terminals, also those remaining vacant, must be tightened. For earth connection to studs or bars, cable shoes must be used.



Electrical protection:

- The thermostat must be protected with max. 16A circuit breaker (fuse) on power lead.
- Where the circuit breakers is mounted in Ex Classified Zones, an Ex Certified circuit breaker must be used.

TECHNICAL DATA

Type:	502392XX
Housing material:	Brass, Chromium-plated or Acid resistant stainless steel
Voltage:	Max. 250 VAC
Ambient temp. range:	-50°C to +50°C @ 16A, -50°C to +70°C @10A
Max. off withstand temp.:	+80°C
Max. ambient temp. before damage of bimetal thermostat:	+177°C

Type No. M20 version:				
Brass	Chromium-plated Brass	Acid resistant SS	Opening temp. (OFF)	Closing temp. (ON)
5023 9200	5023 9201	5023 9202	+11,7°C +/- 2,8°C	+3,3 °C +/- 3,3°C
5023 9210	5023 9211	5023 9212	-2,8°C +/- 2,8°C	-10°C +/- 3,3°C
5023 9220	5023 9221	5023 9222	+20°C +/- 2,8°C	+10°C +/- 3,3°C
Type No. M25 version:				
Brass	Chromium-plated Brass	Acid resistant SS	Opening temp. (OFF)	Closing temp. (ON)
5023 9250	5023 9251	5023 9252	+11,7°C +/- 2,8°C	+3,3 °C +/- 3,3°C
5023 9260	5023 9261	5023 9262	-2,8°C +/- 2,8°C	-10°C +/- 3,3°C
5023 9270	5023 9271	5023 9272	+20°C +/- 2,8°C	+10°C +/- 3,3°C

T-rating:	T6 or T4
Compliance with:	EN IEC 60079-0:2018 / IEC 60079-0:2017 Ed 7.0 EN 60079-18:2015 / IEC 60079-18:2015 Ed 4.0
Electrical protection:	The thermostat must be connected to a fuse with the following ratings: Max 16 A, breaking capacity 1500 A on power lead. In Ex Classified Zones, Atex Certified circuit breaker must be used
Special conditions for safe use:	The Tranberg Ambient Thermostat Type 502392XX must be used as Ambient Temperature Sensing Working Thermostat mounted in ATEX Certified Ex e Enclosures or Enclosures for safe areas.