



SEARCHLIGHTS TEF 2620/2630 HALOGEN BRIGDE (2630)- AND DIRECT (2920) OPERATED **SAFE AREA** USER MANUAL

Subject to change without prior notice TUM3581 REV. C 17.07.2017



IMPORTANT

Read this instruction carefully before installing the product



Option: TEF 2610 Panel



R. Stahl Tranberg AS
E info@stahl-tranberg.com | stahl-tranberg.com
Main office: Strandsvingen 6 | N-4032 Stavanger | Norway | T +47 51 57 89 00 | F +47 51 57 89 50
Office Oslo: Luhrtoppen 2 | N-1470 Lørenskog | Norway | T +47 24 08 44 10

SAFETY INSTRUCTIONS



The intense light output may damage eyes when stared directly into the light.

Any type of light source reaches a very high temperature. Do not touch if warm. Never touch with bare skin as this reduces light output.

Never open a searchlight head while energized. High voltage is present.

Always wait until light source and other components have cooled before touching any part.

GENERAL WARRANTY CERTIFICATE

Tranberg AS gives normally a general warranty on Tranberg products valid for 12 months from delivery date.

General the products will

- (a) Confirm to the purchase order,
- (b) Be free from liens, claims and encumbrances,
- (c) Be free from failures or defects which may arise from defective design, materials or workmanship.

The warranty is based on that "The assembly- and maintenance instruction", attached with the product, is fulfilled, and does not cover damage caused by misuse or lack of proper maintenance and care.

Regards terms of delivery:

Other agreements than standard terms of delivery are to be in writing.
Official terms of delivery, NL-01 are valid.

Regarding the bulb, please look at the warranty papers following the bulb. This must be filled in and returned with the bulb to Tranberg AS.

TABLE OF CONTENTS

CONTENTS

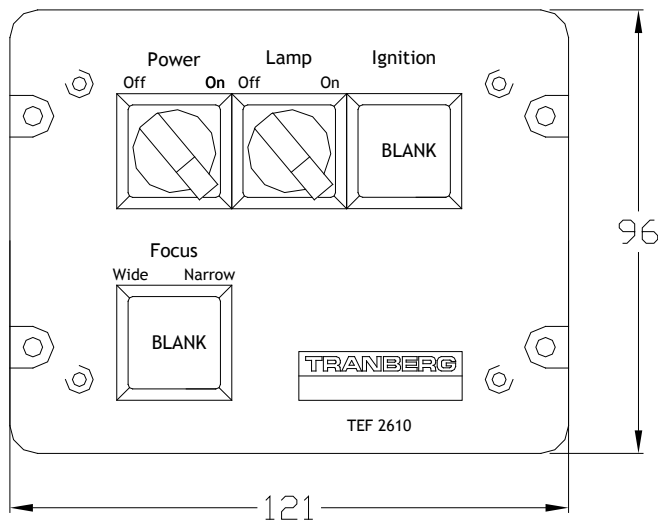
1. OPTION: PANEL	4
2. MAINTENANCE	4
3. TECHNICAL DATA	5
Drawings	6
600A103633 - LAMP HOUSING HALOGEN SEARCHLIGHT	6
600A103633 - PART LIST FOR LAMP HOUSING HALOGEN SEARCHLIGHT	7
600A102894- TEF 2620 HALOGEN 250W/1000W, DIMENSIONAL DRAWING	8
600A102894 - TEF 2630 HALOGEN 250W/ 1000W, DIMENSIONAL DRAWING	9
600A102290 - TEF 2620 HALOGEN 2000W, DIMENSIONAL DRAWING	10
600A102293- TEF 2630 HALOGEN 2000W, DIMENSIONAL DRAWING	11
600A106917- TEF 2620 DIRECT OPERATED SEARCHLIGHT, PART LIST	12
600A106918 - TEF 2630 BRIGDE OPERATED SEARCHLIGHT, PART LIST	13
600A103799 - SEARCHLIGHT HEAD HALOGEN 1000/2000W, WIRING DIAGRAM	14
600A102294 - MOUNTING OF SEARCHLIGHT	15

1. OPTION: PANEL

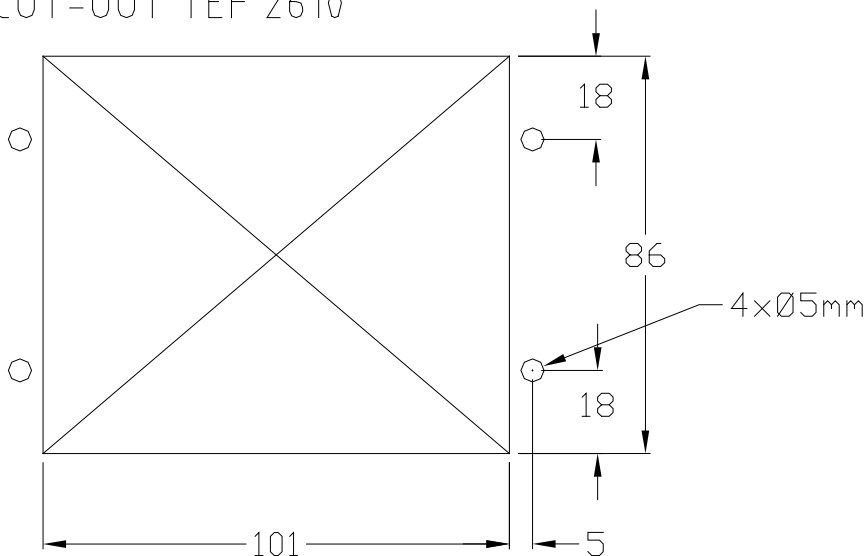
1.1 Panel

TEF 2610 is a control panel for searchlight TEF 2620 / 2630, bridge- and direct operated.

FRONT



CUT-OUT TEF 2610



2. MAINTENANCE

2.1 CLEANING

PANEL:

The control panel may be cleaned with a mild detergent on any parts.

SEARCHLIGHT:

Keep the searchlight and lens clean. Use only water and soft cloth to clean the searchlight. Clean the front glass / lens only when the light is off and has cooled down. If necessary, clean the mirror using alcohol. Ensure that all remains of the cleaning solvent are removed. Use only a soft cloth to clean the mirror.

2.2 LUBRICATION

The lubrication point at the bottom of the U-pieces should be greased every two years. Use grease which is resistant to temperatures down to -50°C .

2.3 MECHANICAL

Check all external screws on the searchlight periodically and tighten if needed.

Control that the lamphouse moves smoothly and with low friction both horizontally and vertically. Do not overtighten the four bolts in which the lamphouse is hinged, as this may hinder the movement of the searchlight.

3. TECHNICAL DATA

SEARCHLIGHT

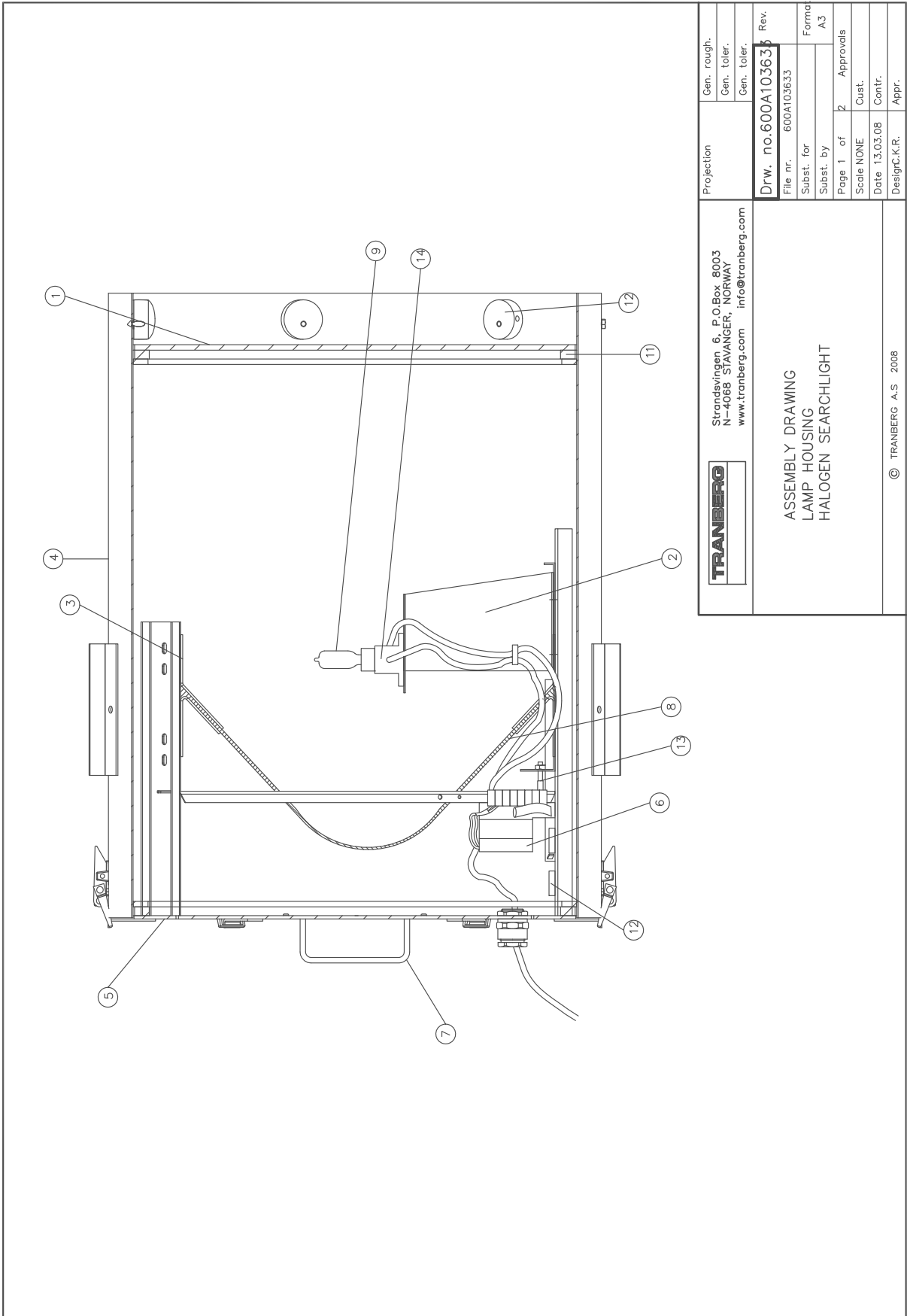
Model:	Halogen 250W	Halogen 1000W	Halogen 2000W
Dimensions:			
Length:	360 mm	360 mm	450 mm
With:	425 mm	425 mm	598 mm
Height:	650 mm	650 mm	842 mm
Height w/pedestal:	1455 mm	1455 mm	1648 mm
Weight searchlight (without power supply):	36 kg	36 kg	42 kg
Weight pedestal:	10,2 kg	10,2 kg	10,2 kg
Weight manouvrebar short:	1,7 kg	1,7 kg	1,7 kg
Weight manouvrebar long:	3,4 kg	3,4 kg	3,4 kg
Electrical:			
Line input voltage (*):	24V	230 VAC 202-254 VAC	
Optical system:			
Lamp power:	250W	1000W	2000W
Lamp operating current:	21 Amp	4,5 Amp	9 Amp
Lamp lifetime (approx.):	300h	900h	480h
Luminous flux:	12600 lm	21000 lm	50000 lm
Divergence:	6°	11°	10,8°
Theoretical range (at 1 lux):	1320 m	1540 m	2366 m
Reflector diameter:	305 mm (12")	Ø304 mm (12")	Ø457 mm (18")
Focal point distance:	69 mm (2 3/4")	69 mm (2 3/4")	127 mm (5")
Tranberg Lamp Part No.:	9400 037	9400 072	9400 073
Materials:			
Lamphouse:	Stainless steel		
Base:	Stainless steel		
Lens:	Toughened soda-lime glass		
Mirror:	Silver plated glass reflector		
Fork and lifting rod:	Stainless steel		
Screw joint material:	Stainless steel		
Surface treatment:	Powder coated RAL 9010		
Ingress protection (DIN40050):	IP56		
Operating temperature:	- 50°C - + 50°C		

(*) Other voltages available on request

PANEL:

Model:	2610
Length:	121 mm
Width:	96 mm
Height:	62 mm
Weight:	360 g
Mounting:	Flush
Input voltage:	230 V
Ingress protection (DIN40050):	IP20
Operating temperature:	0°C - + 40°C
Storage temperature:	- 20°C - + 60°C

600A103633 - LAMP HOUSING HALOGEN SEARCHLIGHT



	Strøndsvingen 6, P.O. Box 8003 N-4068 STAVANGER, NORWAY www.tranberg.com info@tranberg.com		Projection Gen. rough. Gen. toler. Gen. toler.
	Drw. no. 600A103633 Rev.		File nr. 600A103633 Subst. for Subst. by Page 1 of 2 Approvals Scale NONE Date 13.03.08 Contr. Desig./C.K.R. Appr.
ASSEMBLY DRAWING LAMP HOUSING HALOGEN SEARCHLIGHT			
© TRANBERG A.S. 2008			

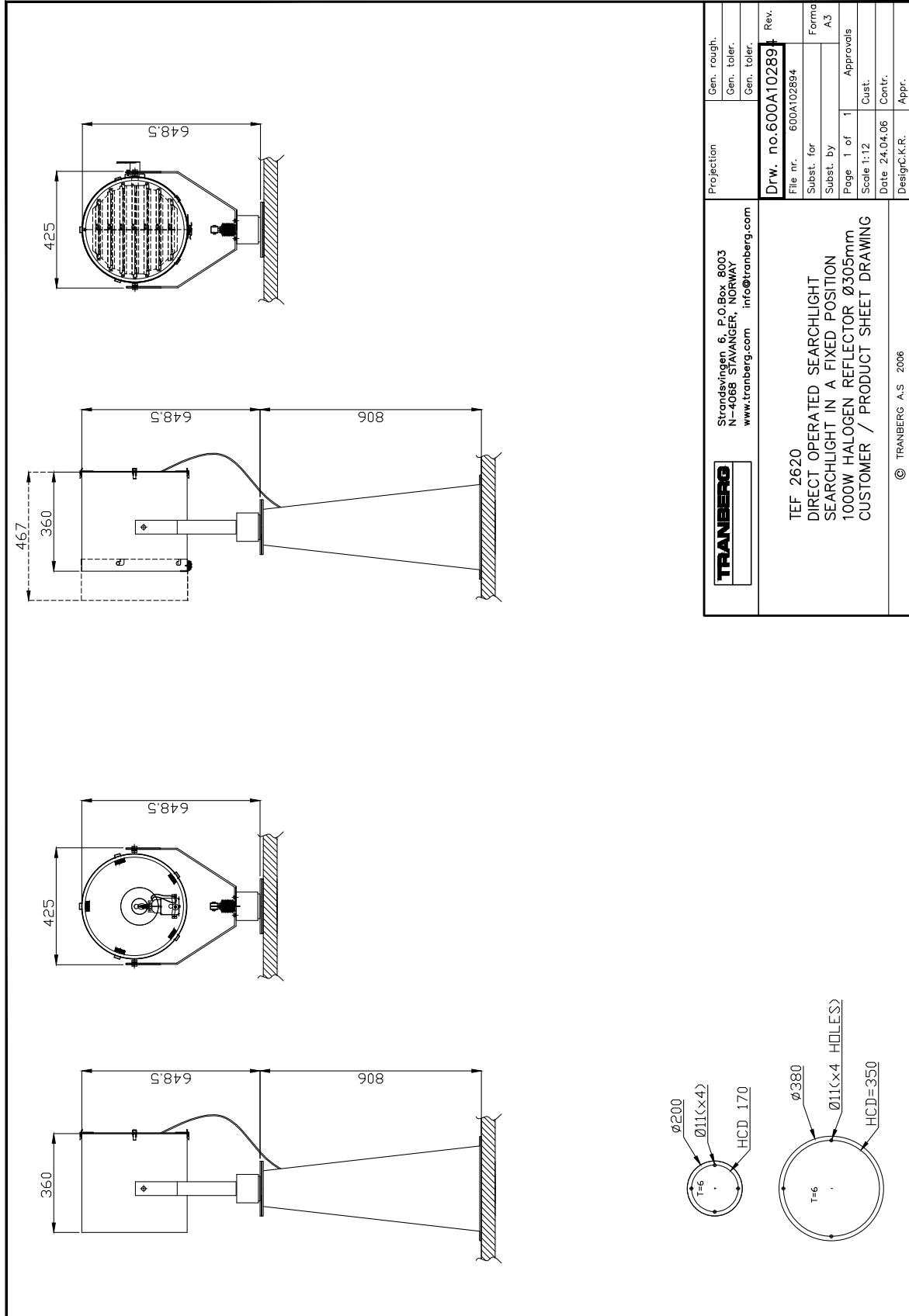
TEF 2620/2630 SEARCHLIGHT - INSTALLATION AND USER MANUAL

600A103633 - PART LIST FOR LAMP HOUSING HALOGEN SEARCHLIGHT

POS	NUMB.	ART. NO.	DRAWING NO.	DESCRIPTION	DIM., MATERIAL		
1	1	50450041		FRONTGLASS Ø533 mm			
		50450042		FRONTGLASS Ø377 mm			
2	1	4452/4429		LAMP HOLDER BRACKET 2000W			
		4565/4453		LAMP HOLDER BRACKET 1000W			
3	2	4503/4504		REFLECTOR CLIP FRONT/ REAR 2000W			
		4570		REFLECTOR CLIP FRONT/ REAR 1000W			
4	1	4410		LAMPHOUSE 2000W			
		4561		LAMPHOUSE 1000W			
5	1	4435		BACKLID 2000W			
		4563		BACKLID 1000W			
6	1	56000122		FOCUS MOTOR			
7	1	98994007		HANDGRIP 2000W/1000W			
8	1	50890046		REFLECTOR 18" 2000W			
		50890043		REFLECTOR 12" 1000W			
9	1	9400073		LAMP 2000W/230V			
		9400072		LAMP 1000W/230V			
9	1	9400037		LAMP 500W/24V			
10		9899072		RUBBER SEAL 2000W L=1,8 M			
				RUBBER SEAL 1000W L=1,2 M			
11	8 / 5	4446		SEAL FOR FRONTGLASS 2000W 8 PCS			
				SEAL FOR FRONTGLASS 1000W 5 PCS			
12	2	50214041		ENDSWITCH FOCUS 2000W			
				ENDSWITCH FOCUS 1000W			
13	1	4510		FOCUS BOLT 2000W			
				FOCUS BOLT 1000W			
14	1	98996003		LAMPHOLDER 2000W GY16			
		98996000		LAMPHOLDER 1000W GX9,5			
14	1	50870013		LAMPHOLDER 500W E-40			
	Part No. on pos. 6. changed from 56000003 to 56000122				12.11.15 BKF		
SYMBOL	REVISION			DATO	SIGNATUR		
PART-LIST							
		Strandsvingen 6, P.O.Box 8003 N-4068 STAVANGER, NORWAY www.tranberg.com info@tranberg.com		Projection	Gen. rough.		
					Gen. toler.		
PART LIST FOR ASSEMBLY DRAWING LAMP HOUSING HALOGEN SEARCHLIGHT				Drw.no. 600A103633 Rev. C			
				File nr. 600A103662		Format A4	
				Subst. for		Subst. by	
				Page 2 of 2		Approvals	
				Scale NONE		Cust.	
				Date 09.04.08		Contr.	
© TRANBERG A.S 2008				Design C.K.R.	Appr.		

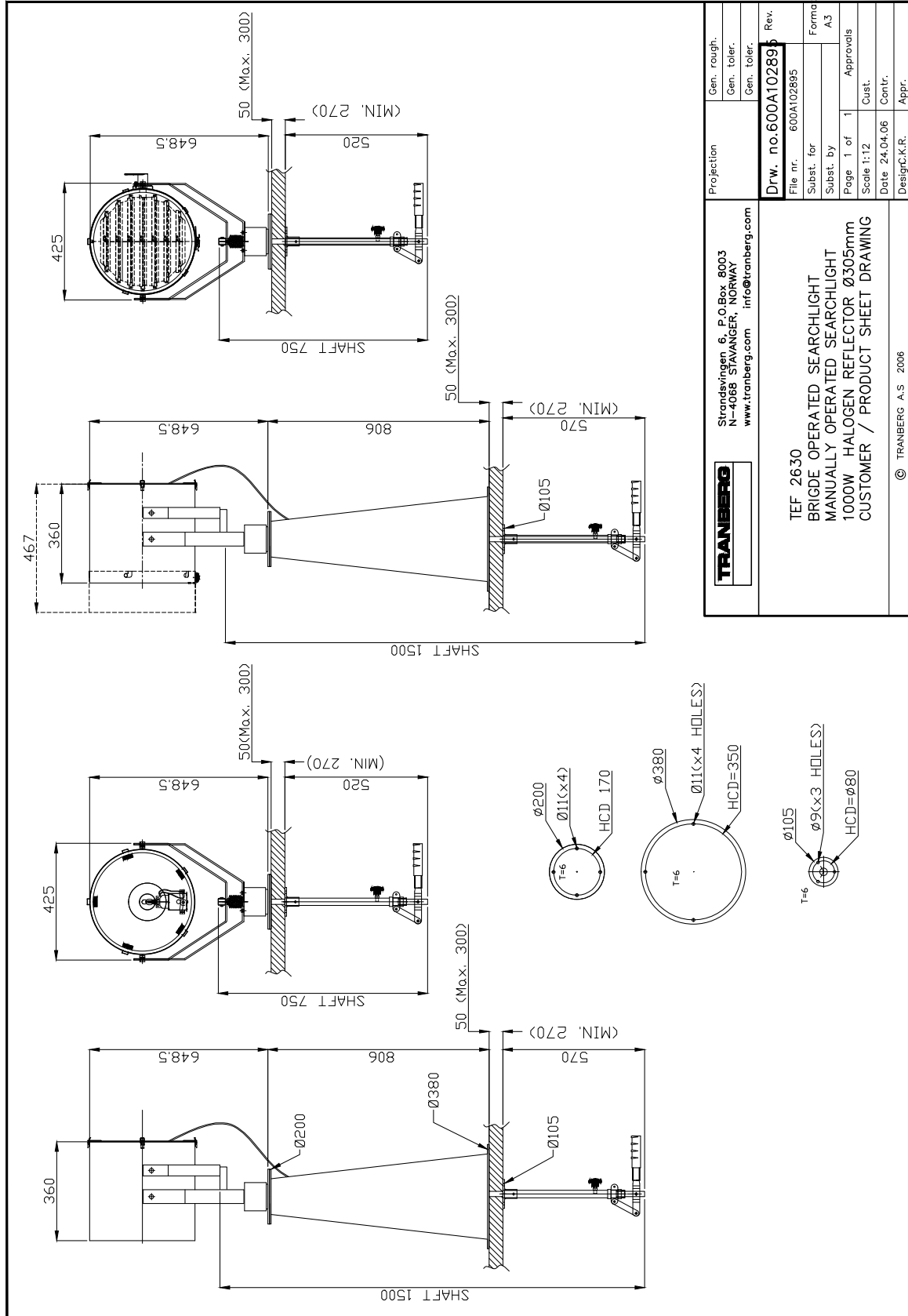
TEF 2620/2630 SEARCHLIGHT - INSTALLATION AND USER MANUAL

600A102894- TEF 2620 HALOGEN 250W/1000W, DIMENSIONAL DRAWING



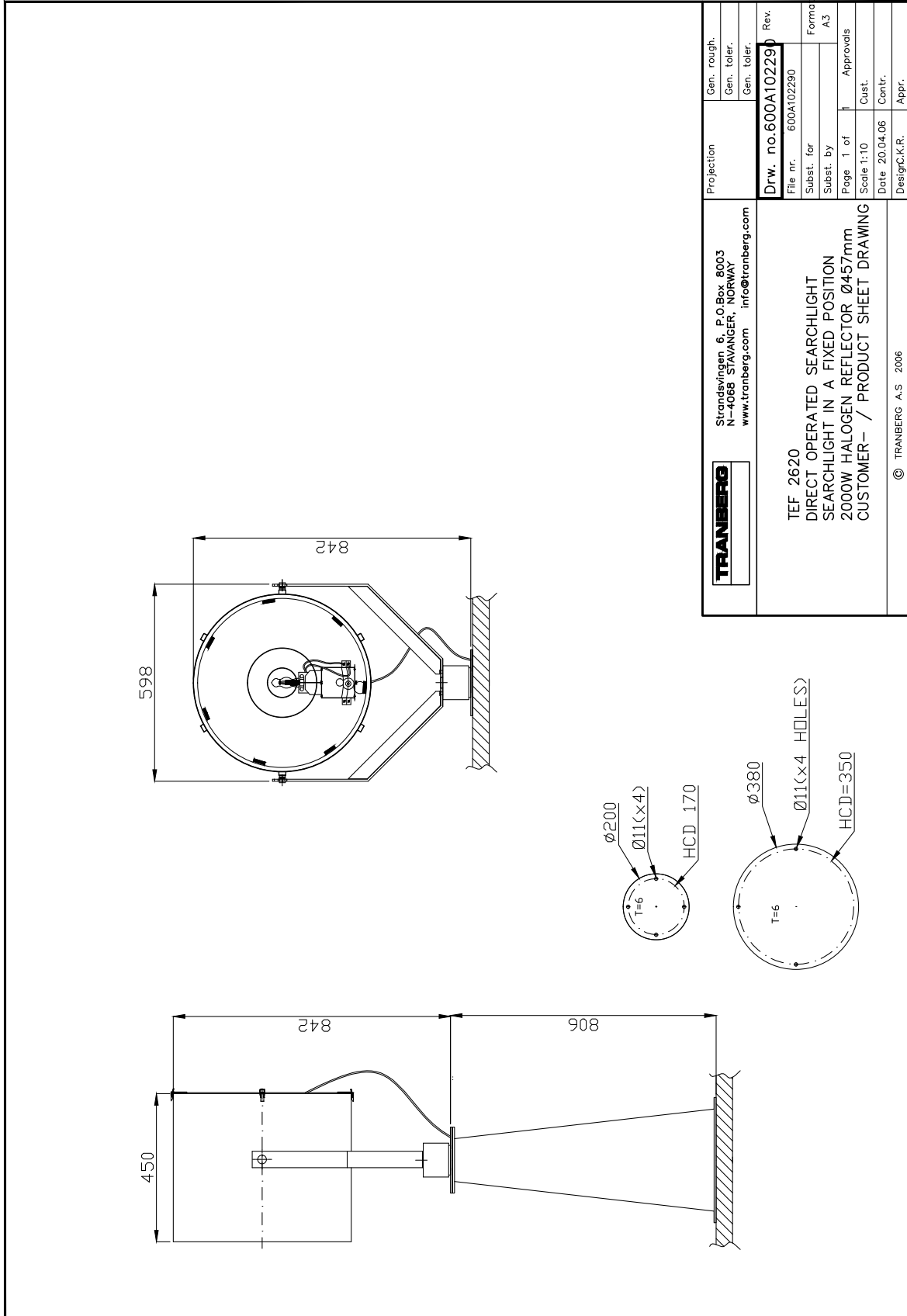
TEF 2620/2630 SEARCHLIGHT - INSTALLATION AND USER MANUAL


600A102894 - TEF 2630 HALOGEN 250W/ 1000W, DIMENSIONAL DRAWING



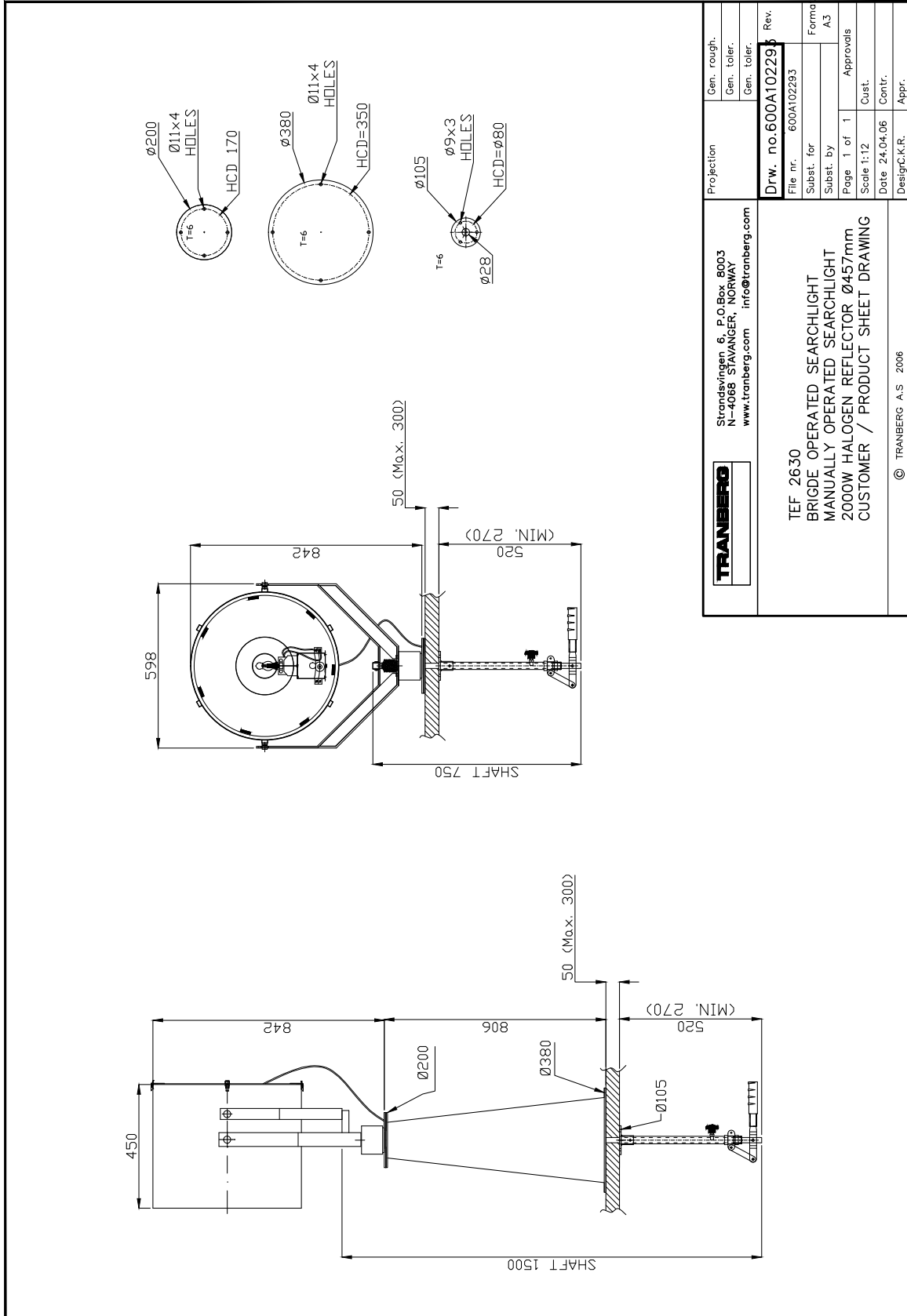
TRANBERG	Strandsvingen 6, P.O.Box 8003 N-4068 STRANDSVER, NORWAY www.tranberg.com info@tranberg.com		Projection	Gen. rough.
			Gen. toler.	Gen. toler.
TEF 2630 BRIGDE OPERATED SEARCHLIGHT MANUALLY OPERATED SEARCHLIGHT 1000W HALOGEN REFLECTOR Ø305mm CUSTOMER / PRODUCT SHEET DRAWING		Drw. no. 600A102894	Rev.	
		File nr. 600A102895	Forma	
		Subst. by	A3	
		Page 1 of 1	Approvals	
		Scale 1:12	Cust.	
		Date 24.04.06	Contr.	
		Design:K.R.	Appr.	
© TRANBERG A.S 2006				

600A102290 - TEF 2620 HALOGEN 2000W, DIMENSIONAL DRAWING



	Strandsvingen 6, P.O.Box. 8003 N-4066 STANGØR, NORWAY www.tranberg.com info@tranberg.com		Projection	Gen. rough. Gen. toler. Gen. toler.
	TEF 2620 DIRECT OPERATED SEARCHLIGHT SEARCHLIGHT IN A FIXED POSITION 2000W HALOGEN REFLECTOR $\phi 457$ mm CUSTOMER- / PRODUCT SHEET DRAWING		Drw. no. 600A102290	Rev.
		File nr. 600A102290	Subst. for	Forma A3
		Subst. by	Page 1 of 1	Approvals
		Scale 1:10	Date 20.04.06	Cust.
		Design:K.R.	Date 20.04.06	Contr.
		© TRANBERG A.S. 2006	Design:K.R.	Appr.

600A102293- TEF 2630 HALOGEN 2000W, DIMENSIONAL DRAWING



600A106917- TEF 2620 DIRECT OPERATED SEARCHLIGHT, PART LIST

Searchlight with pedestal

Searchlight without pedestal

POS NUMB.	ART. NO.	DRAWING NO.	DESCRIPTION	DIM., MATERIAL
7	4559		Collar for 1000W	
	4296		Collar for 2000W	
6	4637		Lock handle	
5	4586		Lamp housing for 1000W	
	4634		Lamp housing for 2000W	
4	260000007		Morse shutter, (Option). This is an accessory, it is not delivered with searchlight	
3	4466		Flange for mounting to base/pedestal	
2	260000007		Pedestal	
			Includes pos 1, flange	
1	4468		Flange for mounting to the base	
			Included in pos. 2 pedestal	

PART-LIST

TRANBERG
Strandsvingen 6, P.O.Box 8003
N-4068 STAVANGER, NORWAY
www.tranberg.com info@tranberg.com

TEF 2620 Direct Operated Searchlight
1000W/2000W

Customer Drawing

© TRANBERG A.S 2012

Projection	Gen. rough.
File nr. 600A106917	Gen. toler.
Subst. for	Gen. toler.
Subst. by	Forma A3
Page 1 of 1	Approvals
Scale 1:8	Cust.
Date 31.10.2012	Contr.
Design CKR	Appr.

Rev. **Drw. no.600A106917**

600A106918 - TEF 2630 BRIGDE OPERATED SEARCHLIGHT, PART LIST

POS	NUMB.	ART. NO.	DRAWING NO.	DESCRIPTION	QTY.	DIM., MATERIAL
12	1	2600000014		Canvas Cover 1000W		
	1	2600000013		Canvas Cover 2000W		
11	1	4308		Middle Piece		
10	1	4560		Manoeuvre Bow 1000W		
	1	4298		Manoeuvre Bow 2000W		
9	1	4559		Collar 100W		
	1	4296		Collar 2000W		
8	1	2600000010		Control Handle		
7	1	2600000009		Control Rod Short (750 mm)		
6	1	2600000008		Control Rod Long (1500 mm)		
5	1	4566		Lamphousing 1000W		
	1	4634		Lamphousing 2000W		
4	1	2600000017		Morse shutter, (Option). This is an accessory. It is not delivered with searchlight		
3	1	4466		Flange for mounting to base/pedestal		
2	1	2600000007		Pedestal		
1	1	4468		Includes pos. 1, flange Flange for mounting to the base Included in pos. 2 pedestal		

TRANBERG Strandsvingen 6, P.O.Box 8003
N-4068 STAVANGER, NORWAY
www.tranberg.com info@tranberg.com

PART-LIST

Projection: Gen. rough.
Gen. toler.
Gen. toler.

File nr. 600A106918 Rev.
Subst. for 600A106918
Subst. by
Formo A3

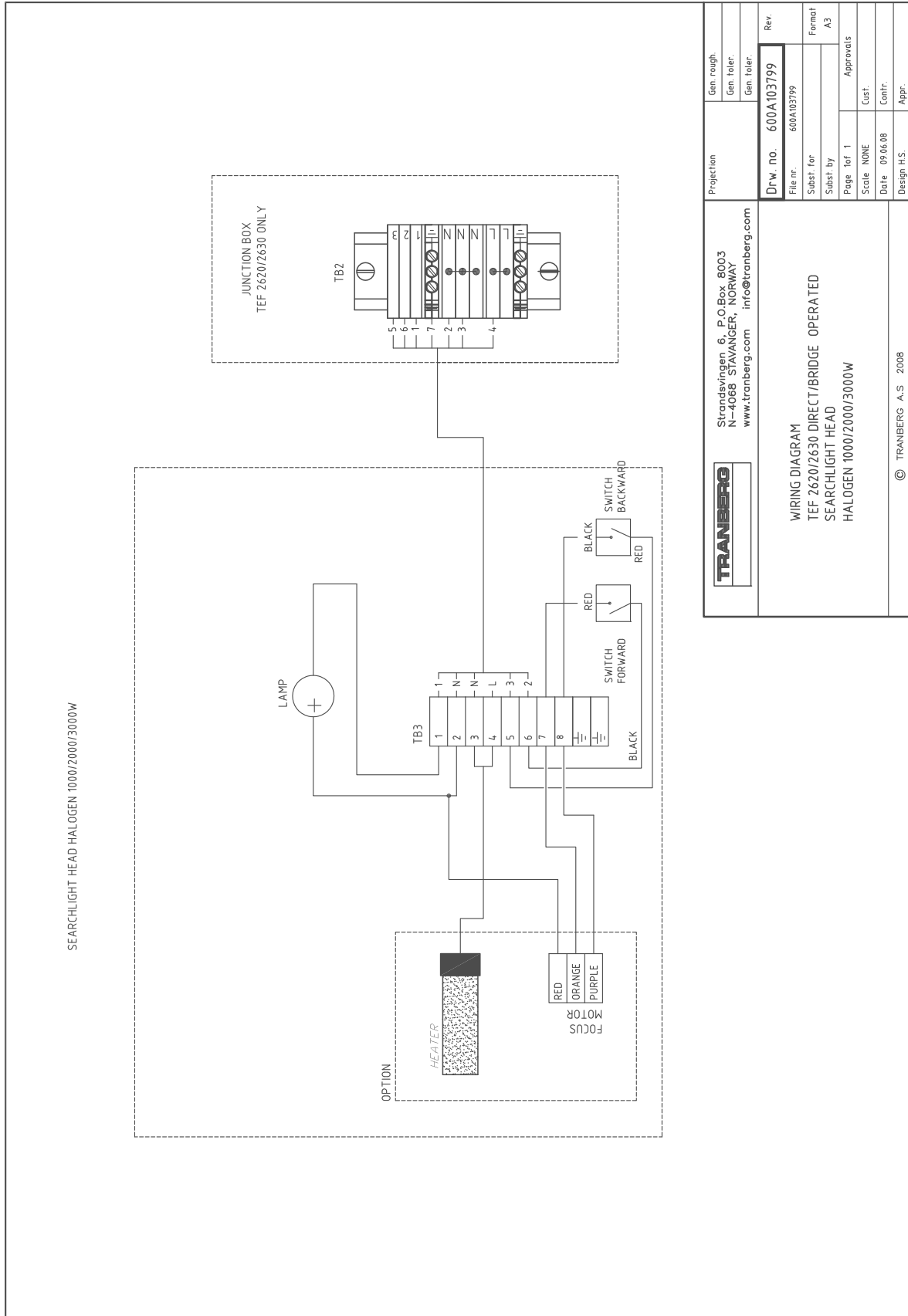
Page 1 of 1 Approvals
Scale 1:8 Cust.
Date 31.10.2012 Contr.
Design CKR Appr.


TEF 2630 Brigde Operated Searchlight
1000W/ 2000W

Customer Drawing

© TRANBERG A.S 2012

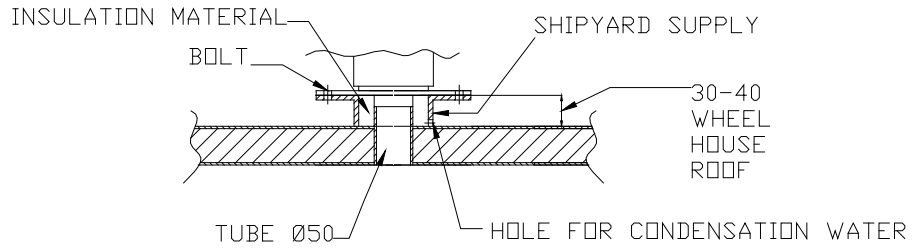
600A103799 - SEARCHLIGHT HEAD HALOGEN 1000/2000W, WIRING DIAGRAM



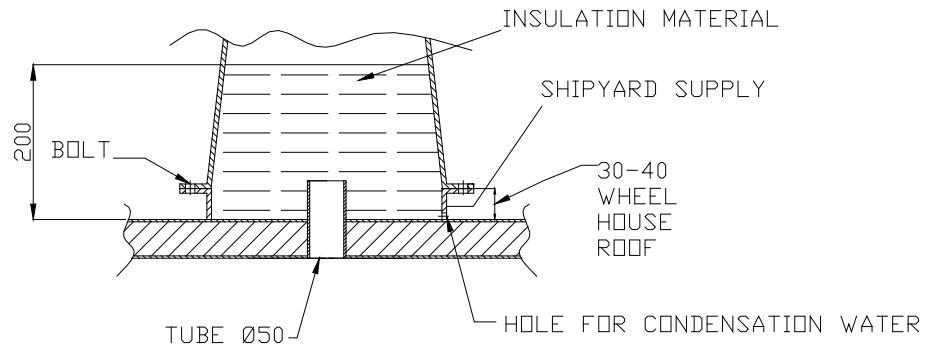
 Strandsvingen 6, P.O.Box 8003 N-4008 STAVANGER, NORWAY www.tranberg.com info@tranberg.com	Projection Gen. rough Gen. toler. Gen. toler.
	Drw. no. 600A103799 File nr. 600A103799 Subst. for Subst. by Page tot. 1 Scale NONE Date 09/06/08 Design H.S.
WIRING DIAGRAM TEF 2620/2630 DIRECT/BRIDGE OPERATED SEARCHLIGHT HEAD HALOGEN 1000/2000/3000W	
Rev. Format A3 Approvals Cust. Contr. Appr.	

600A102294 - MOUNTING OF SEARCHLIGHT

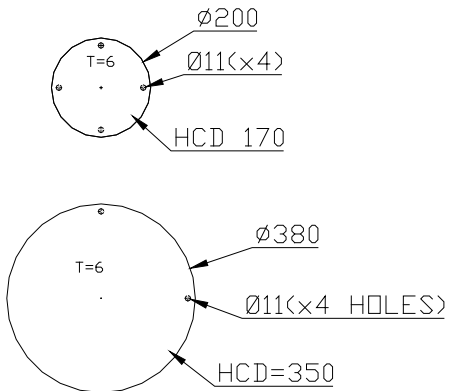
Alternative mounting without stand



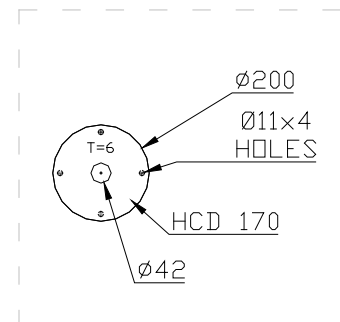
Alternative mounting with stand



Dimensions on stand



Dimensions on flange (option)



TEF 2620/2630 SEARCHLIGHT - INSTALLATION AND USER MANUAL



TRANBERG

R. Stahl Tranberg AS

E info@stahl-tranberg.com | stahl-tranberg.com

Main office: Strandsvingen 6 | N-4032 Stavanger | Norway | T +47 51 57 89 00 | F +47 51 57 89 50

Office Oslo: Luhrtoppen 2 | N-1470 Lørenskog | Norway | T +47 24 08 44 10