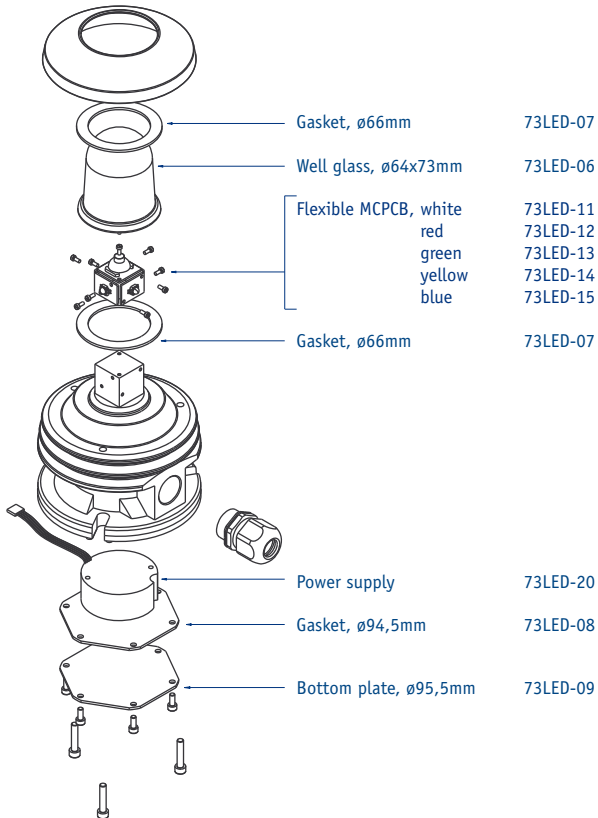


Spare parts



DEN HAAN ROTTERDAM DHR 73LED

• Application

- General signalling purposes
- Vessels carrying dangerous cargos
- Vessels of official guards
- Fire fighting vessels

• Electrical specification

- Voltage 90 up to 265VAC and 24VDC +/- 20%.
- Remark: Both voltages can be connected at the same time.
- Consumption 7,5 – 12Watt (adjustable).
- According IEC 60598-2-1, conform directives 73/23/EEC and 93/68/EEC.

• Operation temperature

- -25 up to 55°C.

• Optical

- Visibility 3 – 5 N.m. (blue 2 N.m.).
- Light intensity and colour specification, according to the new European standard EN 14744.

• Adjustable signal

- Continuously
- 30, 60, 120, 180 flashes p/m.

• Lifetime

- Approx. 50.000 hours.

• Protection class

- IP67

• Materials

- Chromatted aluminium.
- Well glass, borosilicate, ø64 x ø49 x 73mm.
- Power supply, encapsulated.

• Finish

- 3 layers of UV-resistant powder coating, white RAL9016.

• Cable gland

- M25, cable diameter 6-13mm.

• Mounting

- Triangular base, 3 fixing slots ø10 mm.

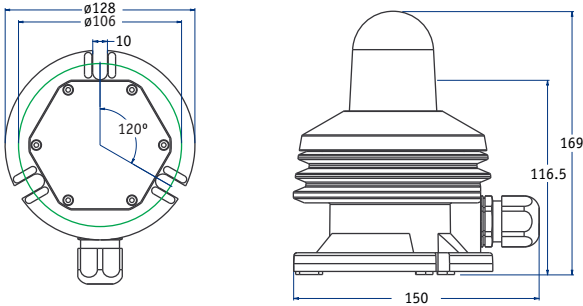
Fascinatio Boulevard 1182 - 2909 VA Capelle a/d IJssel - The Netherlands

T +31 10-4130755 - F +31 10-413 5487 - E sales@dhr.nl

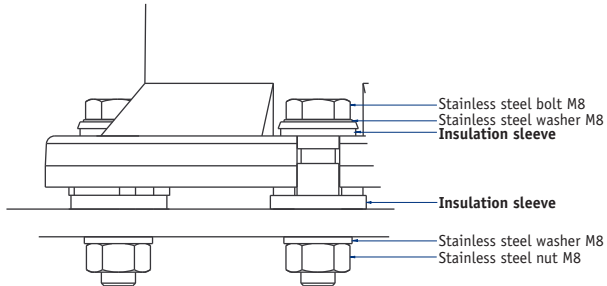
www.dhr.nl - Member



Dimensions



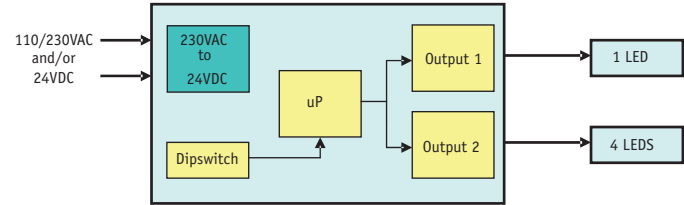
Mounting Instructions



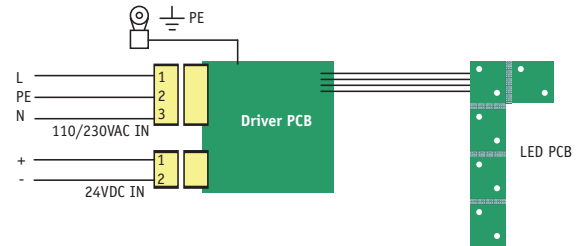
Caution!

Even though the housing is made of corrosion resistant materials, galvanic corrosion can still occur. To prevent galvanic corrosion use the insulation sleeves to isolate the aluminium housing from other metal parts.

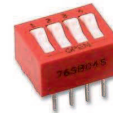
Electrical connections



Block diagram



Construction



| Sw 3 | Sw 2 | Sw 1 | Flashes per minute |
|------|------|------------------------|--------------------|
| 0 | 0 | 0 | 30 |
| 0 | 0 | 1 | 120 |
| 0 | 1 | 0 | 180 |
| 0 | 1 | 1 | 60 |
| 1 | X | X | Continuously |
| | | | |
| Sw 4 | 1 | Led current is 300mA | |
| | 0 | Led current is 500mA** | |

'1': Switch is 'on'
'0': Switch is 'off'

** Use solely when flashing!

Dip-switch adjustment