

TRANBERG® BlueLine Navigation Light

TEF 2882 LED Navigation Light

For Vessels >20m in Length



TRANBERG 2882 is fitted with a complete K2W S64 Navigation Light. It is delivered with the Phoenix QPD Connector for fast and easy installation.

The design of TRANBERG navigation lights is based on many years of experience and extensive research in the field of professional Marine lighting. Carefully selected materials are used to ensure maximum performance, low maintenance and a long trouble free life.

Proven through years of use in rough environments, navigation lights from R. STAHL TRANBERG are the obvious choice by vessel designers, ship owners and yards throughout the world.

Application

- Navigation light for ships over 20m in length.
- Signal light required by various national waters and canal authorities.

Features and benefits

- Both simplex (single light source) and duplex (two light source) versions.
- Compact dimensions.
- Up to 200 000 working hours.
- Monitored light source with alarm signalling in case of failure.
- Easy installation - The QPD plugs from Phoenix Contact allows for a faster and more secure cable installation.
- Glass lens.

Options

- Single cable entry for duplex lights
- Contact R. STAHL TRANBERG for other combinations or features.

Approvals and certificates

0098 MED



Technical Data

Material:	Seawater resistant aluminium, borosilicate glass and stainless steel base.
Input voltage:	24V DC (21 – 36 V DC)
Power:	Max. 10W (Dependent on model)
Electrical connection:	Wire cross section: 1.0 to 2.5mm ² Cable diameter: Ø9-16mm
Working hours:	100,000 h (Each light source)
Operating temperature:	-40° to +55°C
Ingress protection:	IP66 / 67
Dimensions:	Simplex models: 140x140x136-152 mm (Excl. cable entry) Duplex models: 140x140x136-152 mm (Excl. cable entry)
Weight:	Simplex model: Max 1.66 kg Duplex model: Max 1.75 kg

TRANBERG STAHL

THE STRONGEST LINK.

R. STAHL TRANBERG AS

Main office | Strandsvingen 6 | N-4032 Stavanger, Norway | T +47 51 57 89 00 | E info.no-st@r-stahl.com | stahl-tranberg.com
Oslo office | Luhrtoppen 2 | N-1470 Lørenskog, Norway | T +47 24 08 44 10 | E info.no-os@r-stahl.com | stahl-tranberg.com

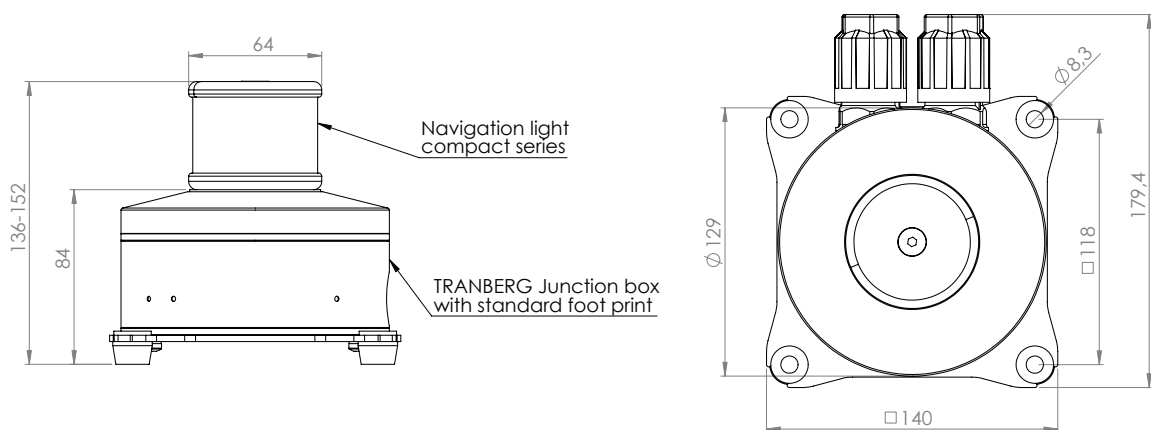
TRANBERG® BlueLine Navigation Light

TEF 2882 LED Navigation Light

For Vessels >20m in Length

Description	Part No. Simplex	Part No. Duplex
Masthead, 225°, White	2882 000	2882 001
Starboard, 112,5°, Green	2882 100	2882 101
Port, 112,5°, Red	2882 200	2882 201
Stern, 135°, White	2882 300	2882 301
Towing, 135°, Yellow	2882 400	2882 401
All-round, 360°, White	2882 500	2882 501
All-round, 360°, Green	2882 600	2882 601
All-round, 360°, Red	2882 700	2882 701
All-round, 360°, Yellow	2882 800	2882 801
All-round, 360°, Blue	2882 900	N/A
Half-round screened, 180°, White	2882 510	2882 511
Half-round screened, 180°, Green	2882 610	2882 611
Half-round screened, 180°, Red	2882 710	2882 711
Half-round screened, 180°, Yellow	2882 810	2882 811
Half-round screened, 180°, Blue	2882 910	N/A
Suez, Red	2882 320	2882 321
Flashing White, 180 Flashes/min	2882 550	N/A
Flashing Yellow, 120 Flashes/min	2882 850	N/A
Flashing Blue, 120 Flashes/min	2882 950	N/A

Dimensions



R. STAHL TRANBERG AS

Main office | Strandsvingen 6 | N-4032 Stavanger, Norway | T +47 51 57 89 00 | E info.no-st@r-stahl.com | stahl-tranberg.com

Oslo office | Luhrtoppen 2 | N-1470 Lørenskog, Norway | T +47 24 08 44 10 | E info.no-os@r-stahl.com | stahl-tranberg.com

TRANBERG® BlueLine Navigation Light

TEF 2882 LED Navigation Light

For Vessels >20m in Length

Spare parts	Description	Part No.
	Cable termination nut Ø6-11mm	50500223
	Cable termination nut Ø9-16mm	50091435
	Plug connector for cable Ø6-11 mm	50500224
	Plug connector for cable Ø9-16 mm	50500225
	Protective cap for unused cable entries IP68	50500226
	Breather plug M12 IP68	50091434
	Stopping plug M25	50091436
	Standoff feet M8, set of 4 pcs	7247
	Mounting adapter to 155x155 mm M10 hole pattern	6694
	Mounting adapter to TEF 2850 & TEF 2870 hole pattern	6693